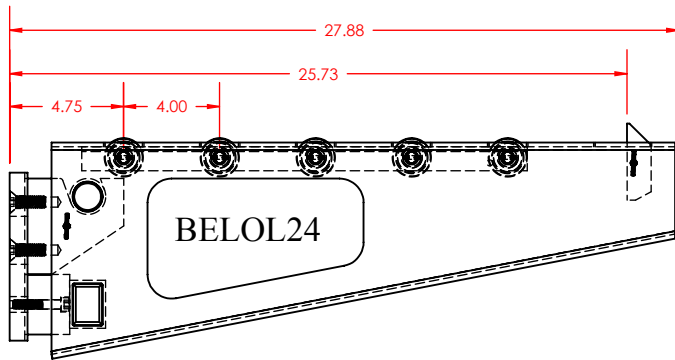
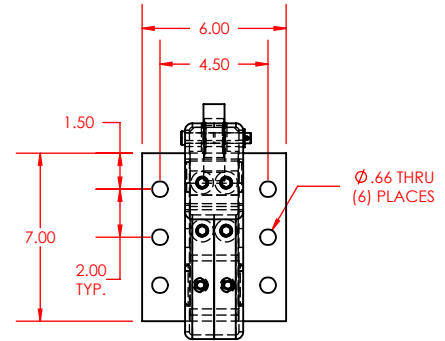
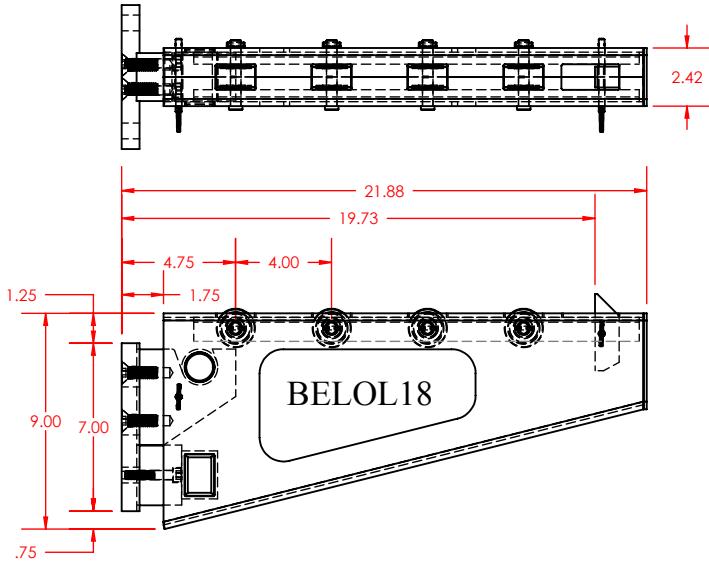
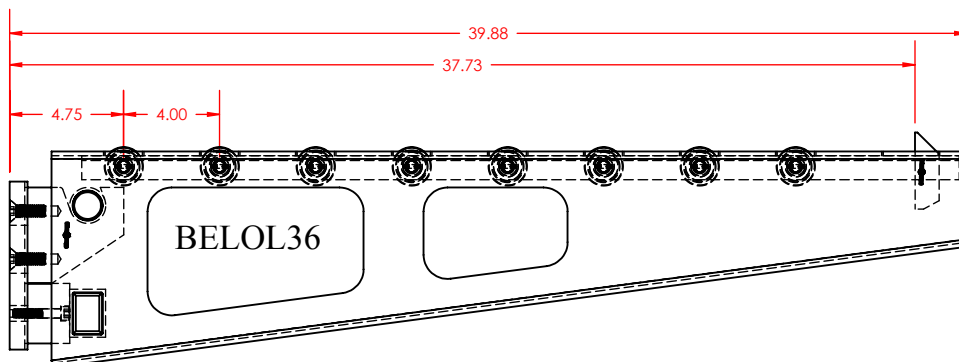
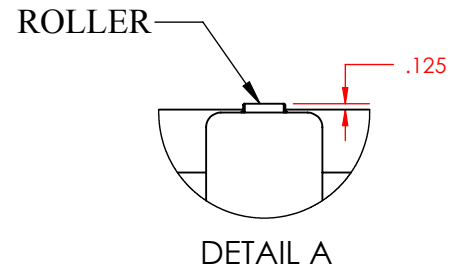
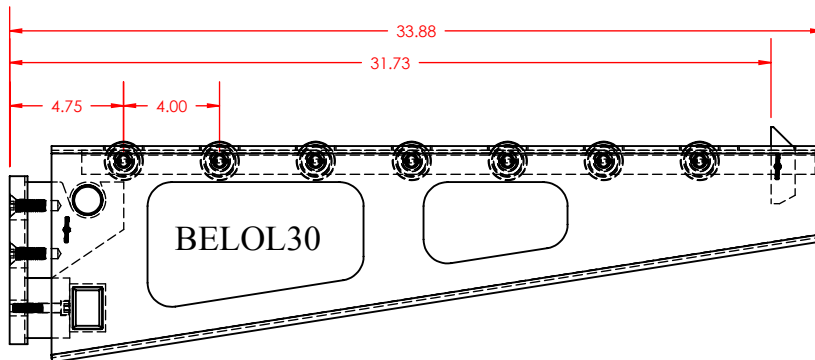
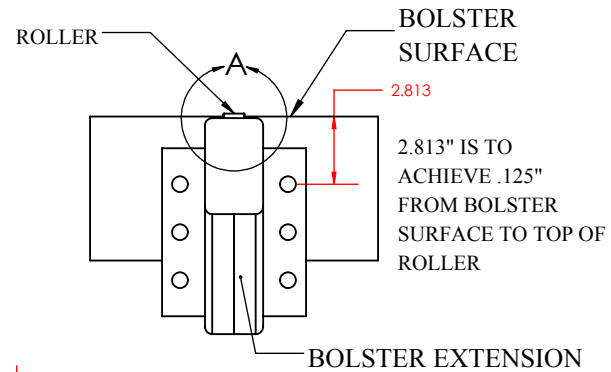


MEDIUM DUTY LIFT OFF BOLSTER EXTENSIONS

ROLLER CAPACITY: 2000 lbs. ea.
 RAIL CAPACITY: 2500 lbs. ea.
 STANDARD LENGTHS: 18", 24", 30", 36"



MOUNTING INFO.



1897

WARDCRAFT

Div. of McLaughlin Ward & Co.
 ONE WARDCRAFT DRIVE
 SPRING ARBOR, MI 49283
 PHONE (800)782-2779 FAX (517)750-2244
 www.wardcraftconveyor.com