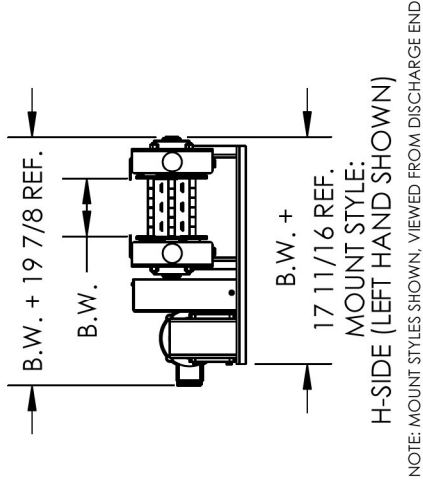
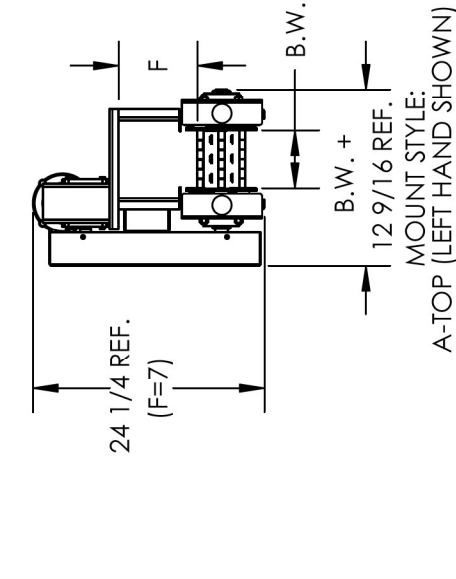
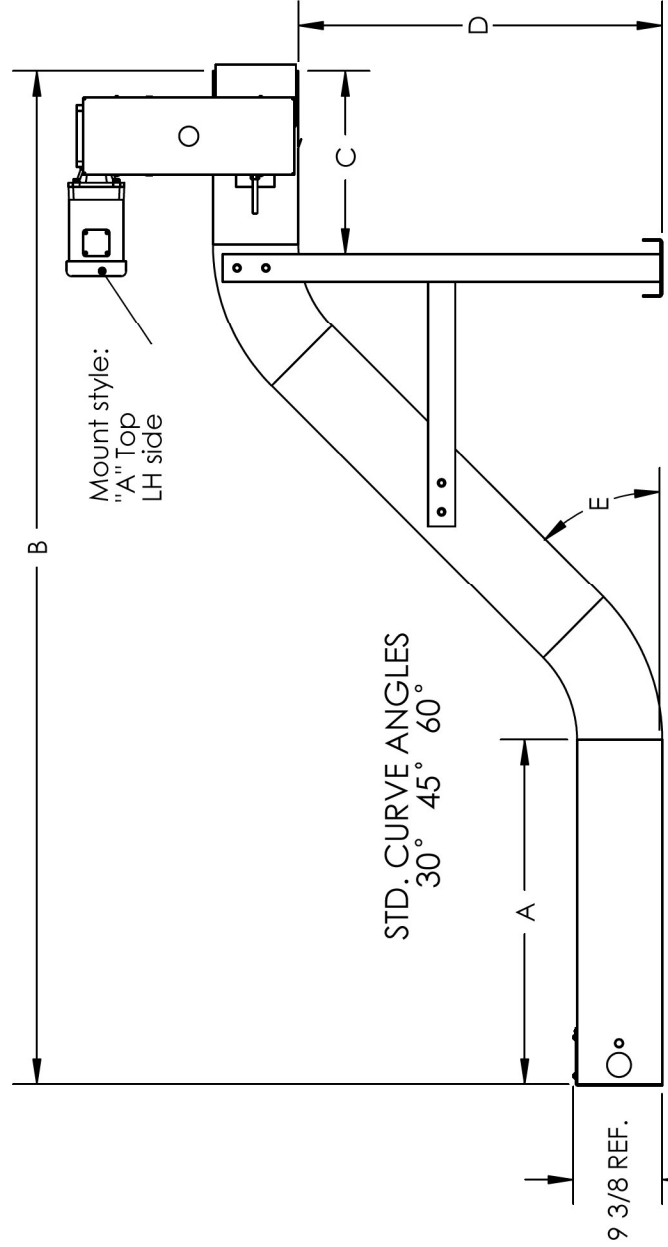
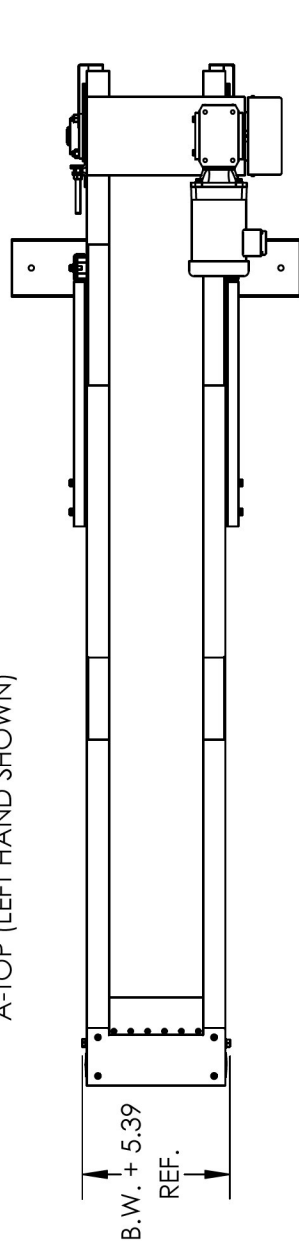


WARDCRAFT 2 1/2" PITCH STEEL HINGE BELT CONVEYOR TYPE 3 READY FORM



NOTE: MOUNT STYLES SHOWN, VIEWED FROM DISCHARGE END



CONVEYOR DATA:

DIMENSIONS:

- A _____
- B _____
- C _____
- D _____
- E _____
- F _____ (MOUNT CLEARANCE)

BELT DATA:

- WIDTH _____ (B.W)
- SPEED _____ (MAX 45 F.P.M.)

APRON SURFACE:

- PIMPLED
- PIMPLED&PERFORATED

CLEATS: 1/4T x 1-1/2H x B.W.

- OTHER: _____
- CENTERS: _____

ELECTRICAL:

- 115/208/230-1-60Hz.
- 230/460-3-60 Hz.
- 575-3-60 Hz.

MOUNT STYLE:

- A-TOP
- H-SIDE
- LEFT HAND
- RIGHT HAND

LEG SUPPORTS:

- REMOVABLE
- NON-REMOVABLE

BOTTOM PAN:

- SEALED
- BOLTED (STD.)

WARDCRAFT CONVEYORS AND QUICK DIE CHANGE, PHONE [800] 782-2779 FAX. [517] 750-2244
DISCLAIMER: THIS DRAWING USED FOR RETRIEVING INFORMATION, NOT FOR APPROVAL PURPOSES