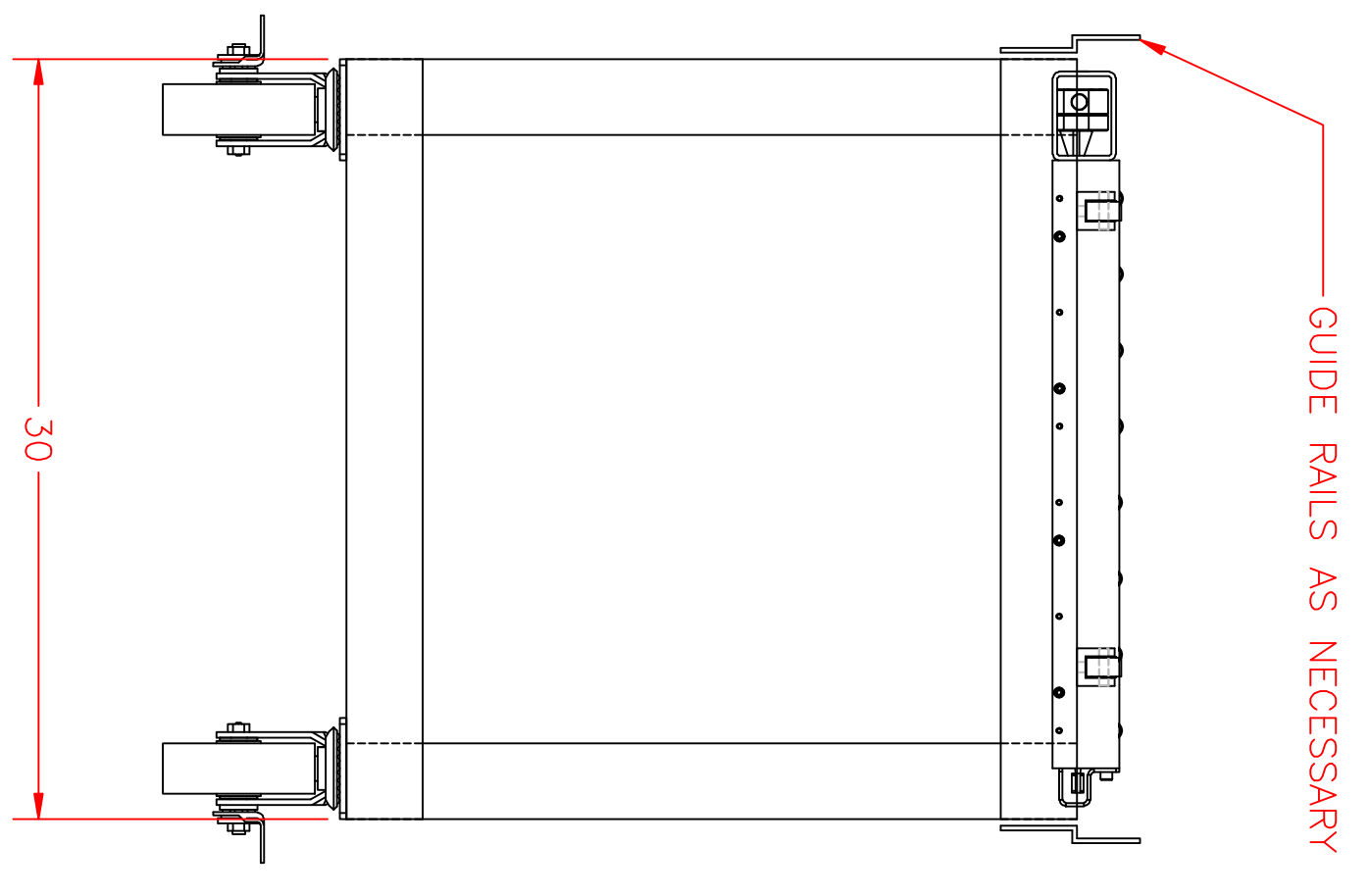
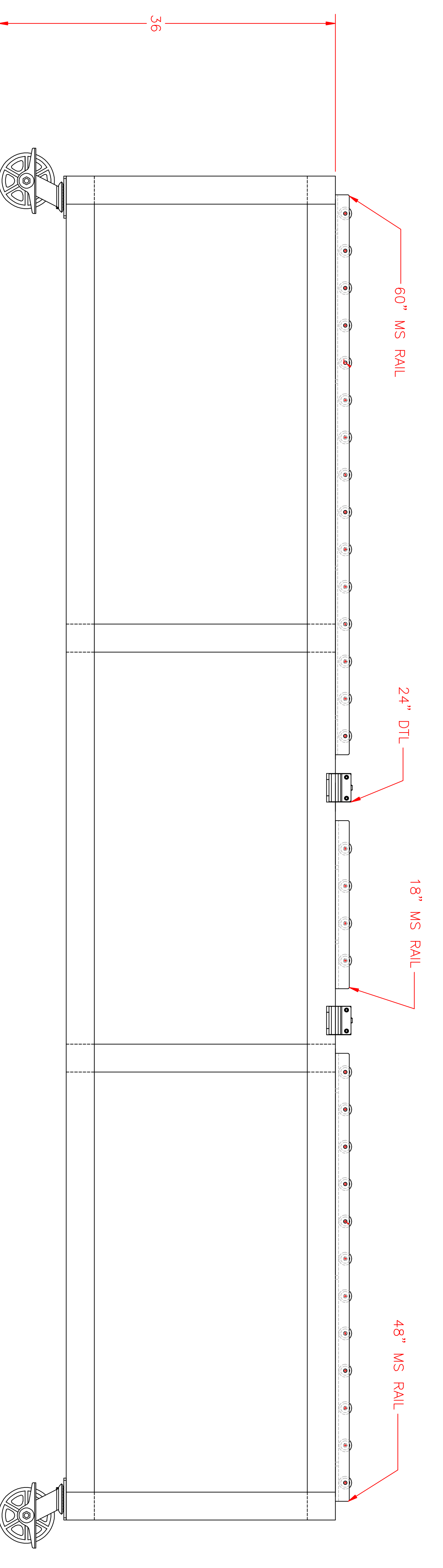
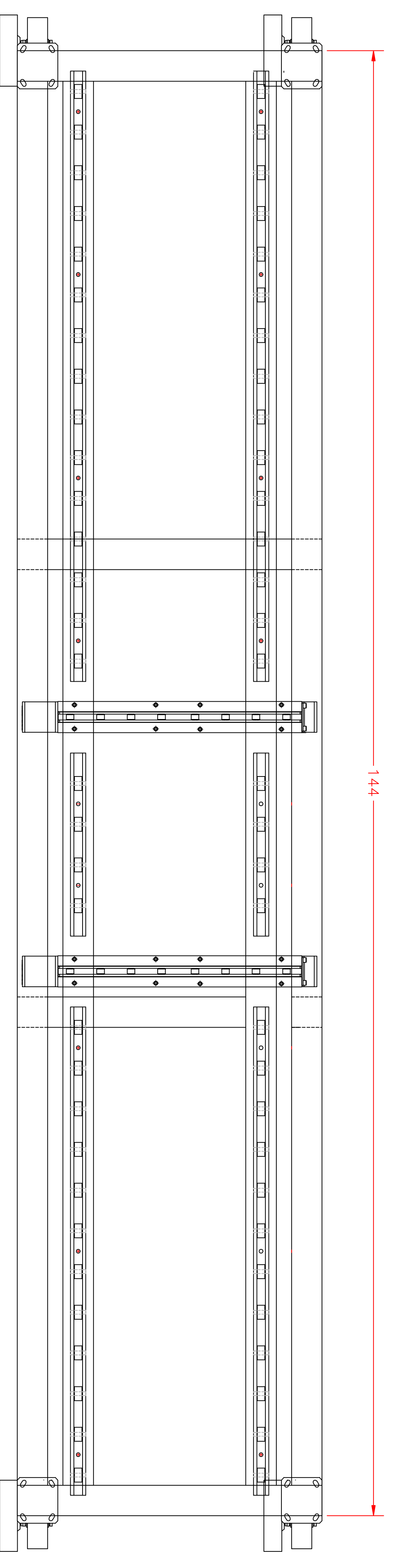


REVISIONS			
REV	DESCRIPTION	DATE	APPROVED



ELEVATION VIEW

END VIEW

THIS DRAWING IS THE CONFIDENTIAL PROPERTY OF WARDCRAFT CONVEYOR AND QUICK DIE CHANGE. THE REPRODUCTION, USE OR DISCLOSURE, IN WHOLE OR IN PART, OF THE DESIGN OR DETAILS CONTAINED HEREIN IS PROHIBITED WITHOUT THE WRITTEN PERMISSION OF WARDCRAFT. THIS DRAWING MUST BE SURRENDERED UPON DEMAND.

TOLERANCE:  
UNLESS OTHERWISE SPECIFIED:  
REFERENCE ± 1"  
WHOLE & FRACT. NO'S = ±1/8"  
2-PLC DECIMAL = ±1/16"  
3-PLC DECIMAL = ±1/32"  
ANGLES ± 1°

**WARDCRAFT**  
1887  
Div. of MacLaughlin Ward & Co.  
SPRING ARBOR, MI 49283  
PHONE (800)782-2779 FAX (517)750-2244  
www.wardcraftconveyor.com

<b>DIE SHUTTLE TABLE</b>		JOB# N/A	
PLAT SIZE: 24 X 36	DRAWN BY: R.A.A.	DATE: 8-13-09	
SCALE: 1 : 8		SHEET: 1 OF 1	DRAWING NO: 003115-J34