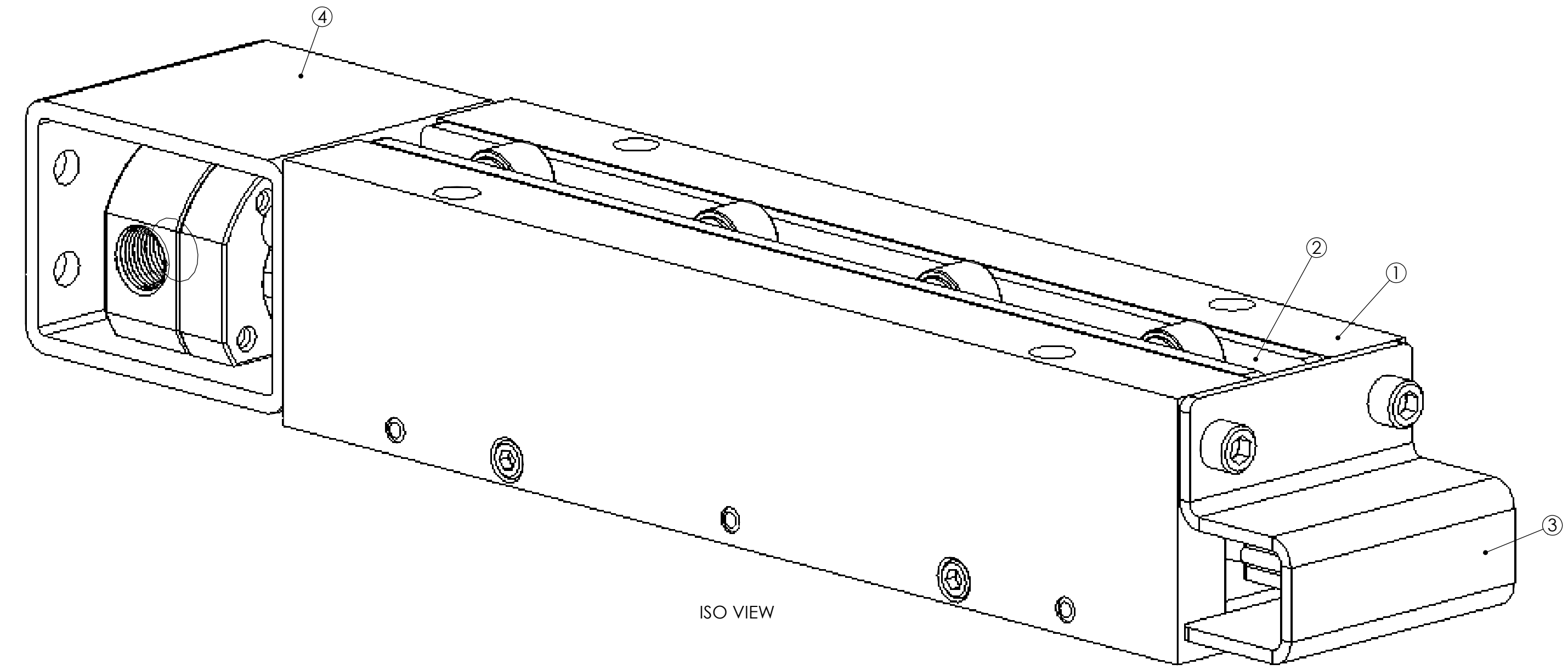
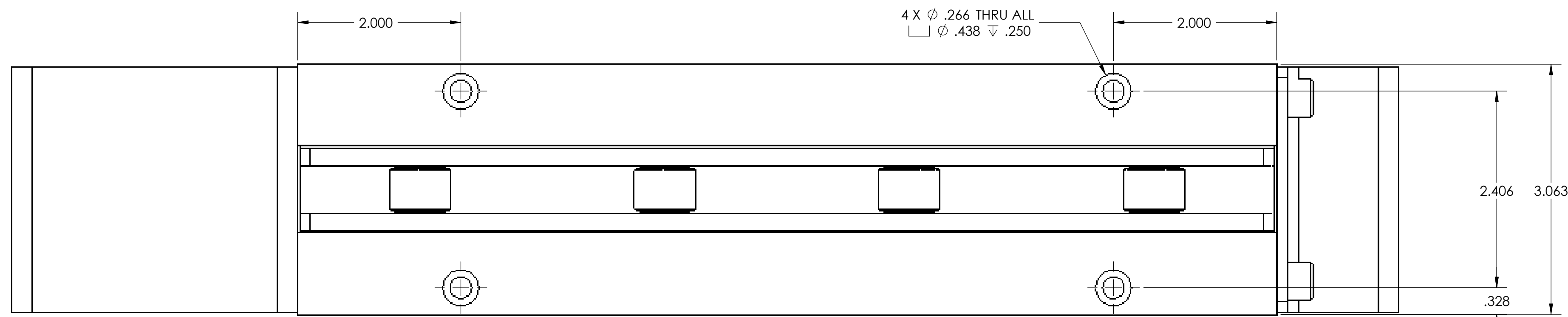


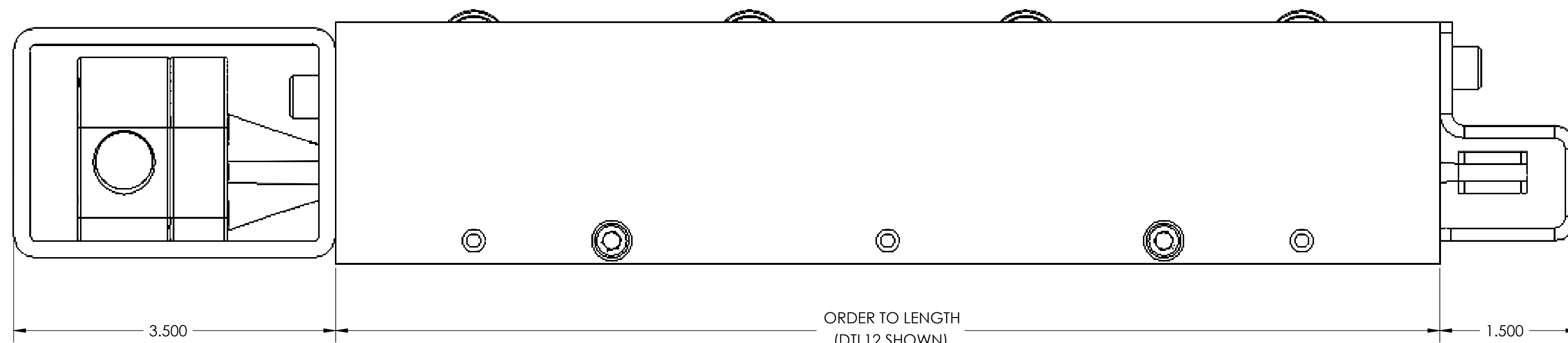
ITEM NO.	PART NUMBER	DESCRIPTION	DTL12-9281/QTY.
1	DTL12	frame	1
2	DTL12-0000	rail assembly	1
3	GDA960A2	end guard	1
4	TL12AIR4B2	airbag assembly	1



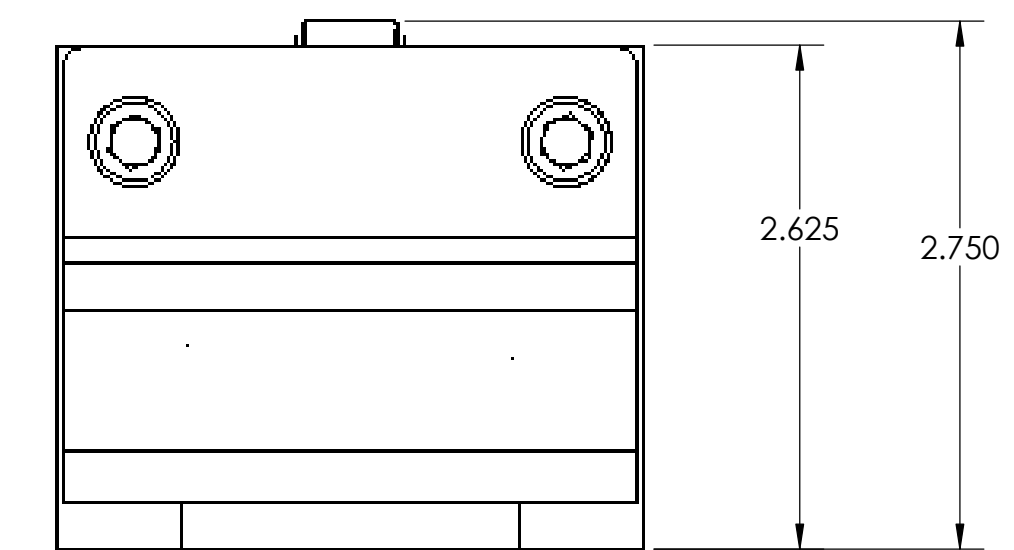
ISO VIEW



TOP VIEW

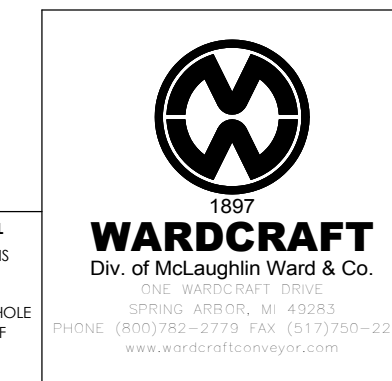


ORDER TO LENGTH
(DTL12 SHOWN)
FRONT VIEW



END VIEW

PROPRIETARY AND CONFIDENTIAL
THE INFORMATION CONTAINED IN THIS
DRAWING IS THE SOLE PROPERTY OF
WARD CRAFT CONVEYOR. ANY
REPRODUCTION IN PART OR AS A WHOLE
WITHOUT THE WRITTEN PERMISSION OF
WARD CRAFT CONVEYOR IS
PROHIBITED.



DIMENSIONS ARE IN INCHES TOLERANCES: FRACTIONAL: 1/16 ANGULAR: MACH ±1° BEND ±1° TWO PLACE DECIMAL ±0.010 THREE PLACE DECIMAL ±0.005		NAME	DATE
DRAWN	G.W.C.	08-08-05	
CHECKED			
ENG APPR.			
MFG APPR.			
Q.A.			
COMMENTS:			
FINISH			

SELF CONTAINED TEE-LIFT			
TITLE: DTL			
SIZE	DWG. NO.	REV	
D	DTL01		
SCALE: 1:1	WEIGHT:	SHEET 1 OF 1	