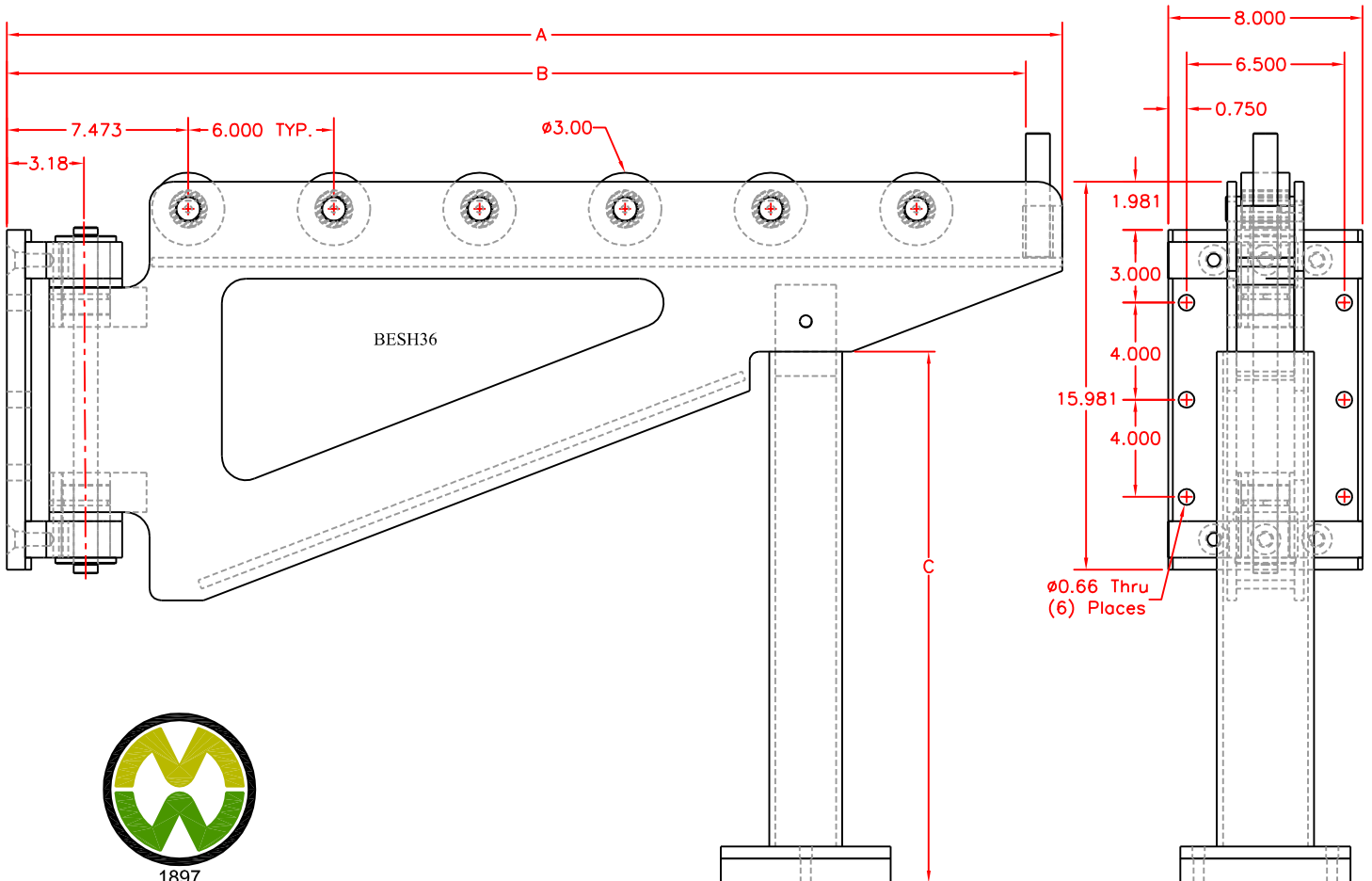
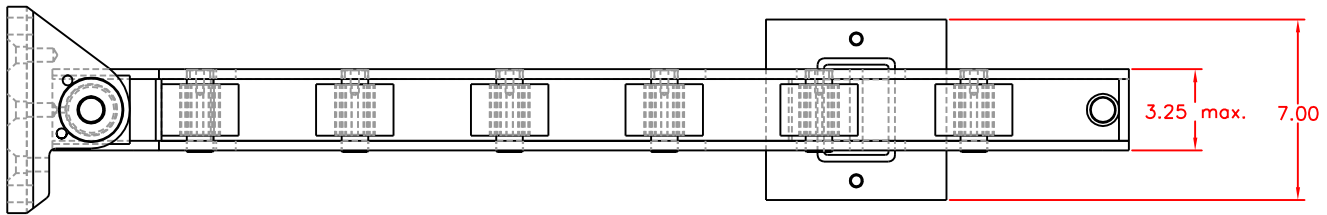


Heavy duty swivel bolster extensions

Standard lengths: 36 & 48 inch
With or without leg support

Dimensional data				Capacity each	
MODEL #	A	B	C	Without leg support	With leg support
BESH 36	43.5"	42"	TBD	7,500 Lbs.	25,000 Lbs.
BESH 48	55.5"	54"	TBD	7,500 Lbs.	25,000 Lbs.



1897

WARDCRAFT

Div. of McLaughlin Ward & Co.

ONE WARDCRAFT DRIVE

SPRING ARBOR, MI 49283

PHONE (800)782-2779 FAX (517)750-2244

www.wardcraftconveyor.com