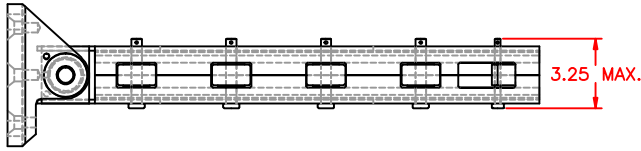


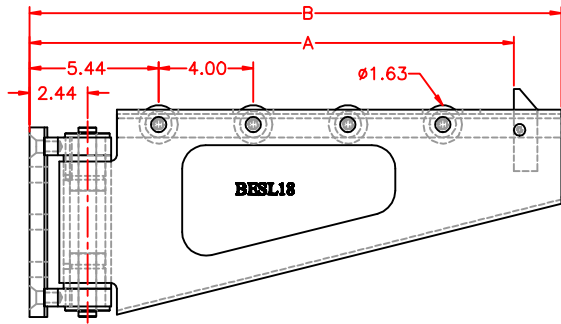
Medium duty swivel bolster extensions

Roller capacity: 2000 Lbs. each
 Rail capacity: 2500 Lbs. each
 Standard lengths: 18, 24, 30 & 36 inch

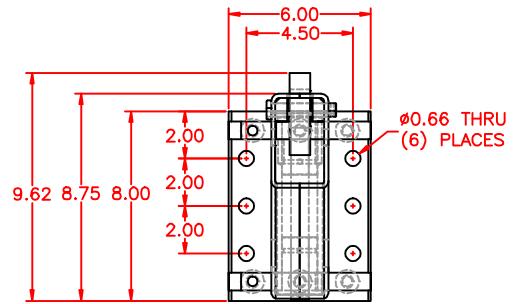


Plan view

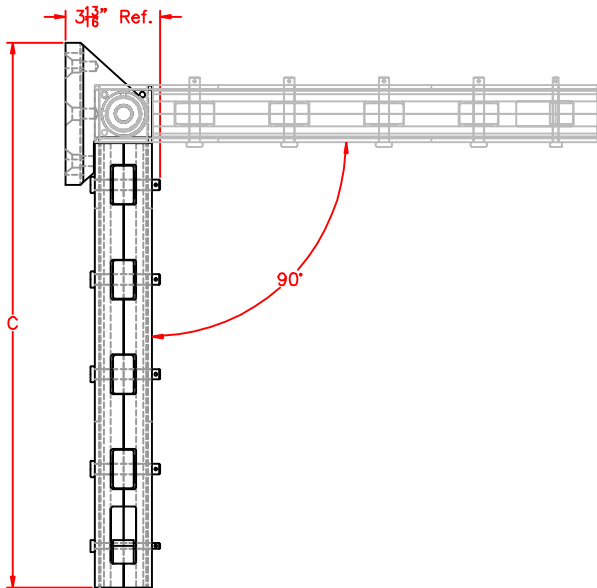
Dimensional data		
MODEL	A	B
BESL 18	20.44	22.44
BESL 24	26.44	28.44
BESL 30	32.44	34.44
BESL 36	38.44	40.44



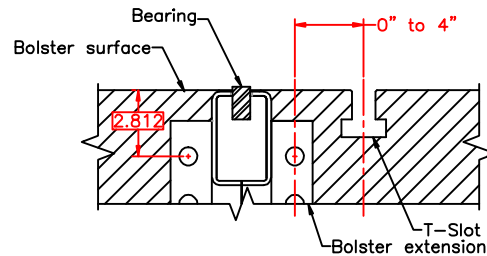
Elevation view



End view



$C = B + 0.56'$



Mounting data



1897

WARDCRAFT

Div. of McLaughlin Ward & Co.

ONE WARDCRAFT DRIVE

SPRING ARBOR, MI 49283

PHONE (800)782-2779 FAX (517)750-2244

www.wardcraftconveyor.com