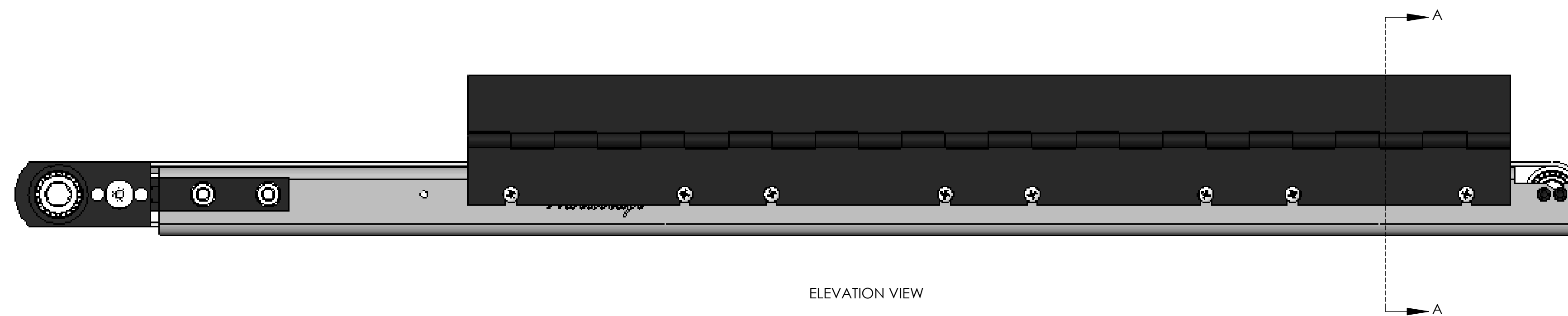
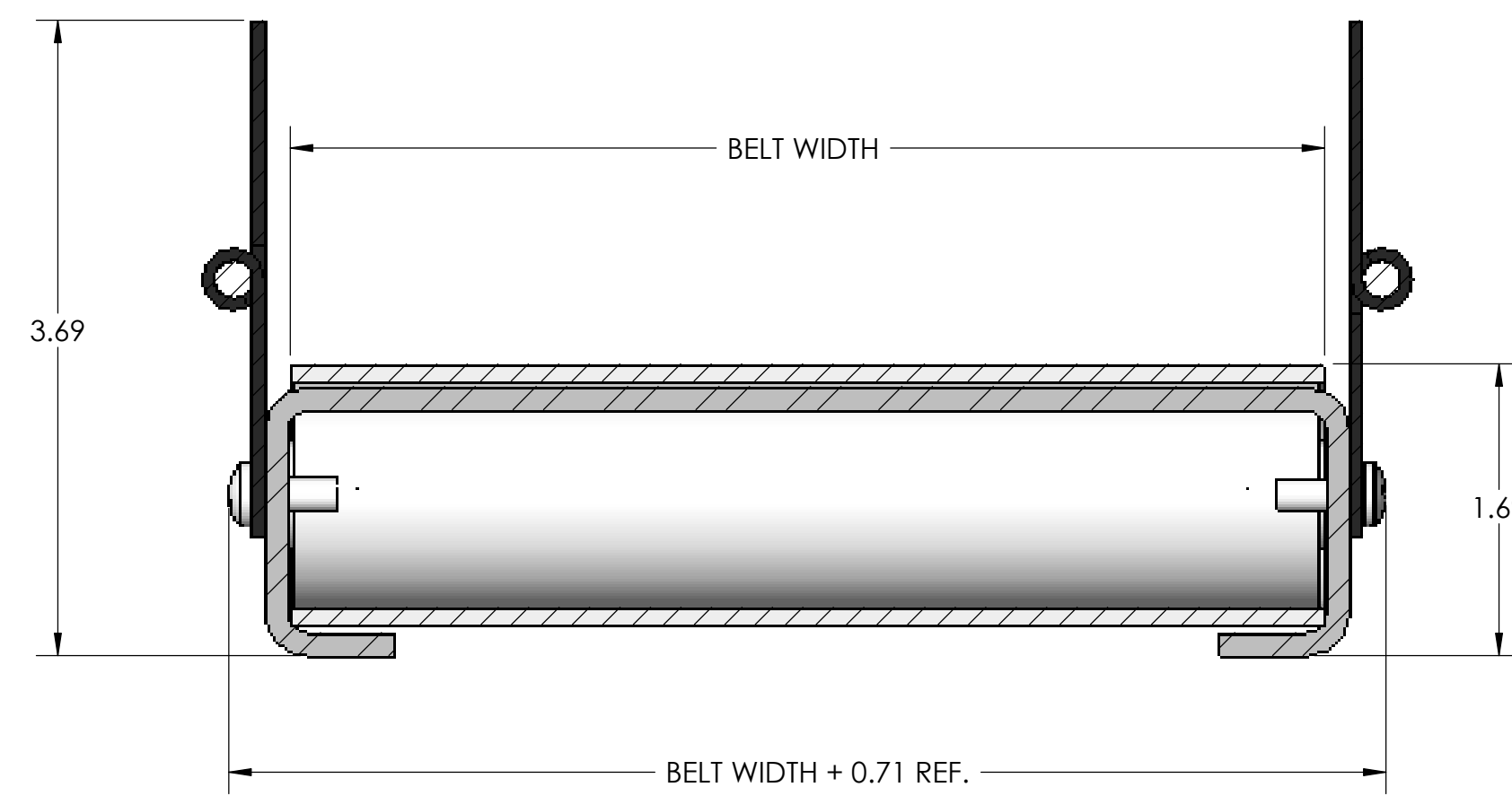


ISO VIEW



ELEVATION VIEW



SECTION A-A
SCALE 1 : 1

PROPRIETARY AND CONFIDENTIAL
THE INFORMATION CONTAINED IN THIS
DRAWING IS THE SOLE PROPERTY OF
WARDCRAFT CONVEYOR. ANY
REPRODUCTION IN PART OR AS A WHOLE
WITHOUT THE WRITTEN PERMISSION OF
WARDCRAFT CONVEYOR IS
PROHIBITED.



UNLESS OTHERWISE SPECIFIED:
DIMENSIONS ARE IN INCHES
TOLERANCES:
FRACTIONAL 1/16
ANGULAR MACH±1° BEND ±1°
TWO PLACE DECIMAL ±0.010
THREE PLACE DECIMAL ±0.005
INTERPRET GEOMETRIC
TOLERANCING PER:
MATERIAL
FINISH

NAME	DATE
DRAWN G.W.C.	09-07-05
CHECKED	
ENG APPR.	
MFG APPR.	
Q.A.	
COMMENTS:	

MODULAR SLUG-VAYOR		
TITLE: HINGED HIGH SIDES		
SIZE D	DWG. NO. HS04	REV
SCALE: 1:2	WEIGHT:	SHEET 1 OF 1

REV
D
HS04