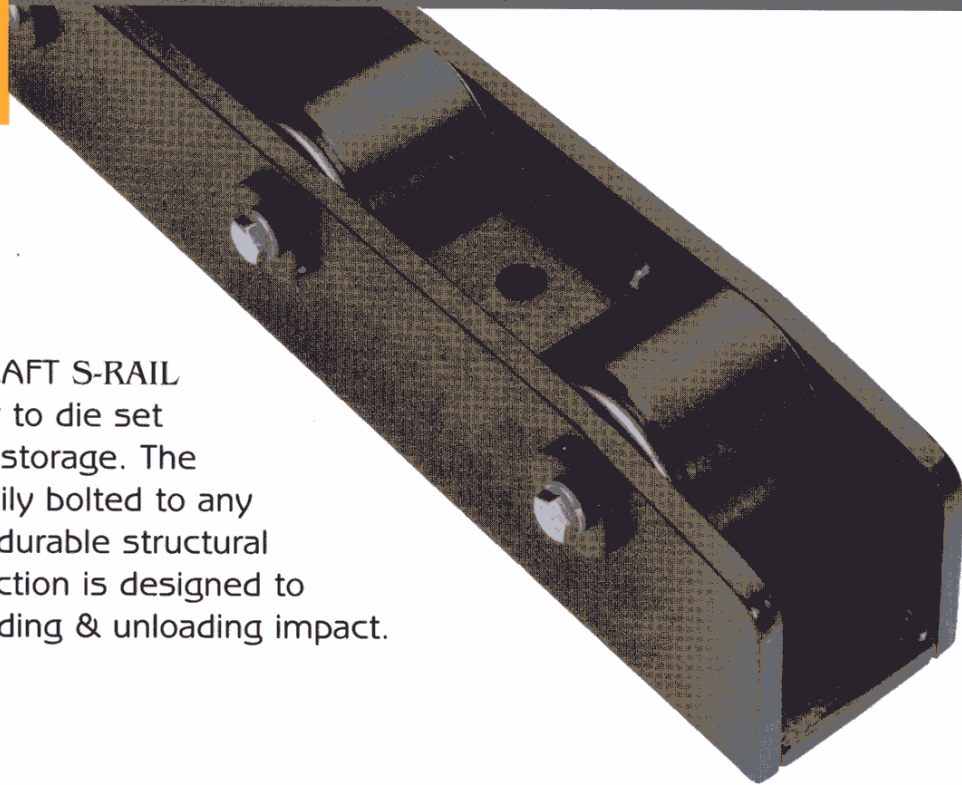


**S-Rail**  
**Heavy Duty**  
**Stationary Rail**  
**For**  
**Die Set**  
**Handling**

# WARDCRAFT



The WARDCRAFT S-RAIL is the answer to die set handling and storage. The S-RAIL is easily bolted to any surface. The durable structural steel construction is designed to withstand loading & unloading impact.

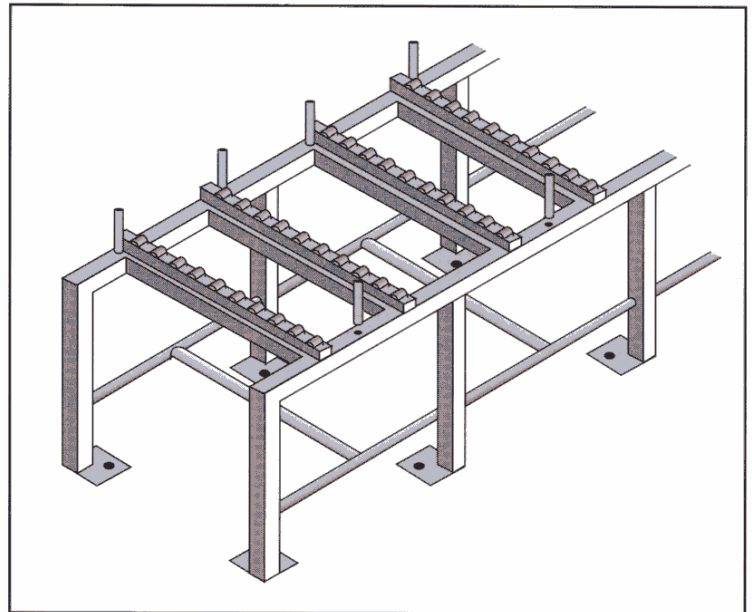
## Quick Die Change

### Features:

- Design for high impact loading & unloading
- Roller capacity 8000 lbs. each
- Structural steel construction
- Stock sizes 12", 24", 36", 48", 60"
- Easily bolted to any surface

### Benefits:

- Improves performance of Quick die change
- Die handling safety
- Reduces die damage
- Can be easily adapted to die racks, die tables, die carts, die trucks, & extension arms



*Typical Die Rack shown with S-Rails.*

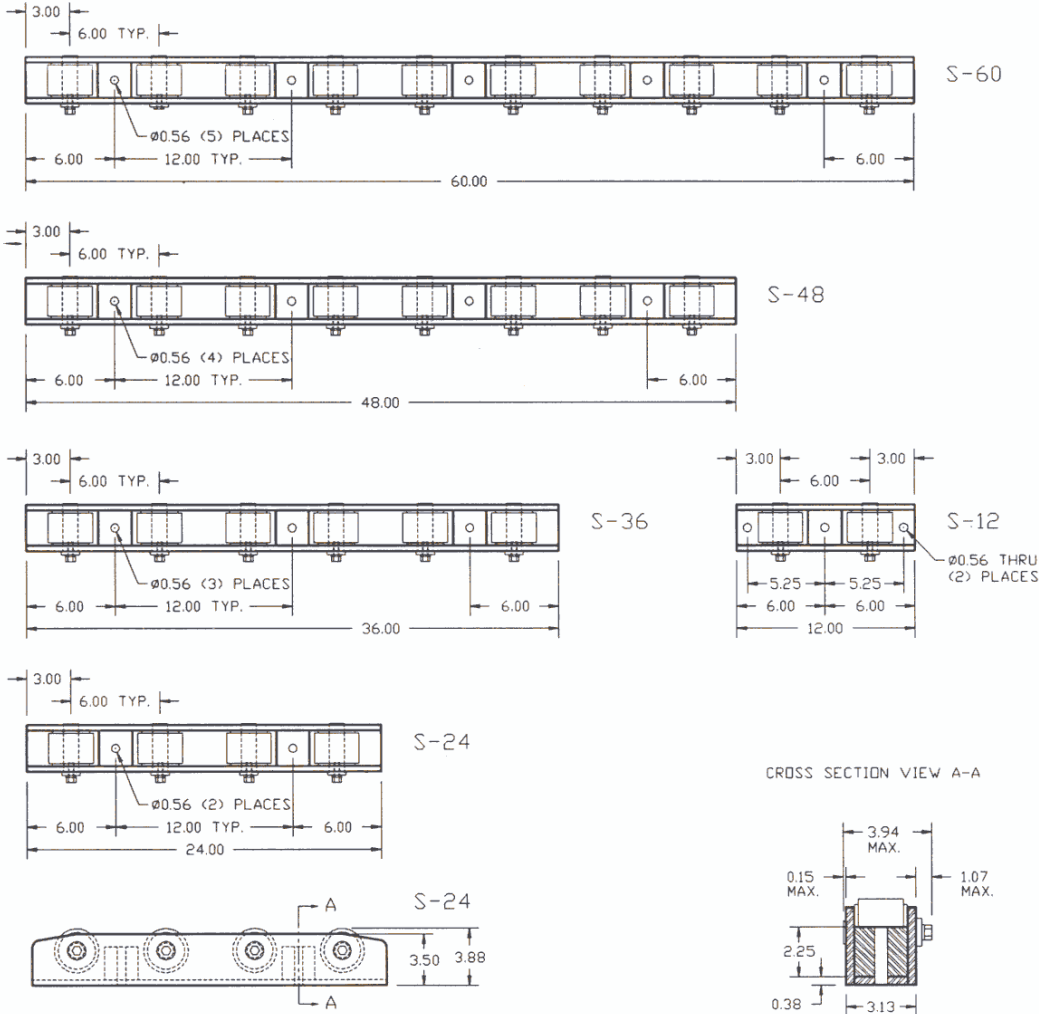


**WARDCRAFT DIE PRODUCTS DIVISION**

**(800) 782-2779**

# S-Rail

## Specifications



### Other QDC Products Available:

- 1/2 Turn Mechanical Di-Clamps
- T-Lift Patented Roller Lifters using air only
- Die Carts
- Die Racks
- Extensions Arms

### Other WardCraft Products:

- Modular Low-Profile Slug -Vayor®
- Part & Scrap Belt Conveyor
- Wiremesh Belt Conveyors
- Magnetic Beltless Conveyors
- Steel Hinge Belt Conveyor 2 1/2" to 12" Pitch

All specs are subject to change without notice.



1897

## WARDCRAFT DIE PRODUCTS DIVISION

P.O. Box 460 • Spring Arbor, Michigan 49283-0460  
 Telephone (517) 750-9100 • FAX (517) 750-2244  
**(800) 782-2779**

1/96/HG