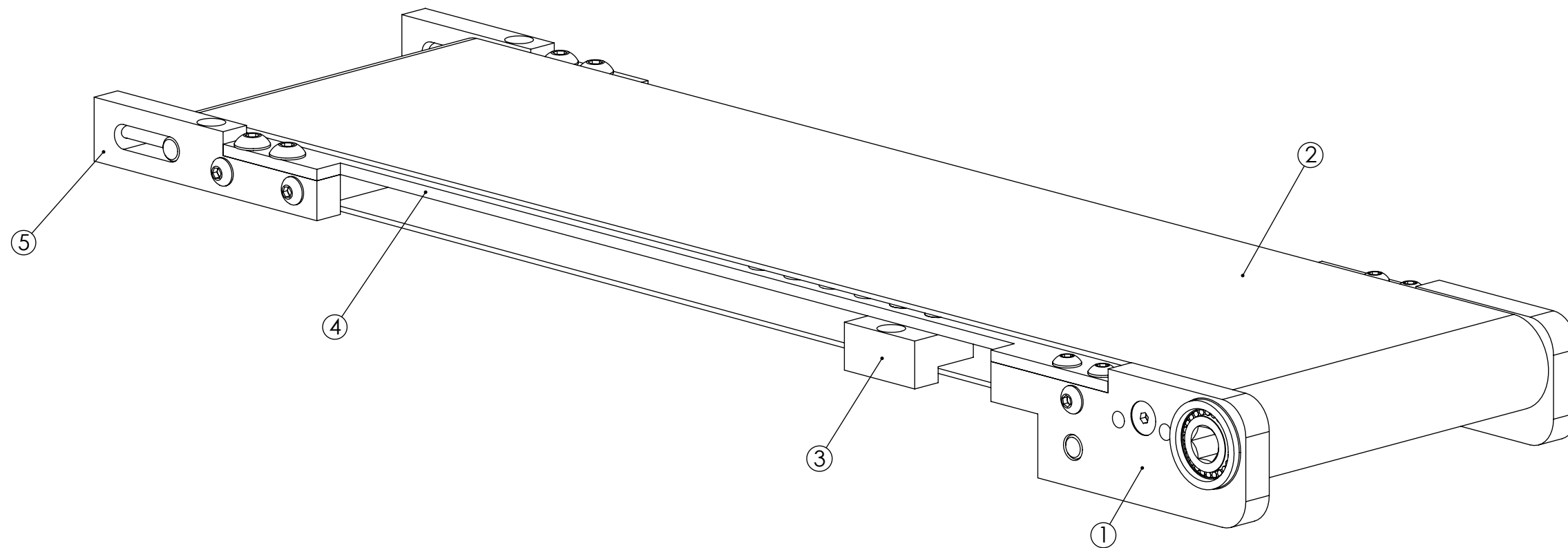


ITEM NO.	PART NUMBER	DESCRIPTION	XLP/QTY.
1	XLPDrive	Drive assembly	1
2	BUE00000	belt	1
3	XLPD0001	foot mounting bracket	2
4	XLPC0000	XLP frame	1
5	XLPTAIL	tail assembly	1

FOR PART IDENTIFICATION OF ASSEMBLIES LISTED ABOVE, REFER TO EXPLODED VIEW ASSEMBLY DRAWINGS



PROPRIETARY AND CONFIDENTIAL
 THE INFORMATION CONTAINED IN THIS DRAWING IS THE SOLE PROPERTY OF WARDCRAFT CONVEYOR. ANY REPRODUCTION IN PART OR AS A WHOLE WITHOUT THE WRITTEN PERMISSION OF WARDCRAFT CONVEYOR IS PROHIBITED.



1897
WARDCRAFT
 Div. of McLaughlin Ward & Co.
 ONE WARDCRAFT DRIVE
 SPRING ARBOR, MI 49283
 PHONE (800)782-2779 FAX (517)750-2244
 www.wardcraftconveyor.com

UNLESS OTHERWISE SPECIFIED:
 DIMENSIONS ARE IN INCHES
 TOLERANCES:
 FRACTIONAL ±1/32
 ANGULAR: MACH ±1° BEND ±1°
 TWO PLACE DECIMAL ±.010
 THREE PLACE DECIMAL ±.005

INTERPRET GEOMETRIC TOLERANCING PER:
 MATERIAL
 FINISH

DO NOT SCALE DRAWING

	NAME	DATE
DRAWN	G.W.C.	09-14-06
CHECKED		
ENG APPR.		
MFG APPR.		
Q.A.		
COMMENTS:		

CONVEYOR ASSEMBLY		
TITLE: XLP CONVEYOR		
SIZE B	DWG. NO. XLP	REV
SCALE: 1:2	WEIGHT:	SHEET 1 OF 1