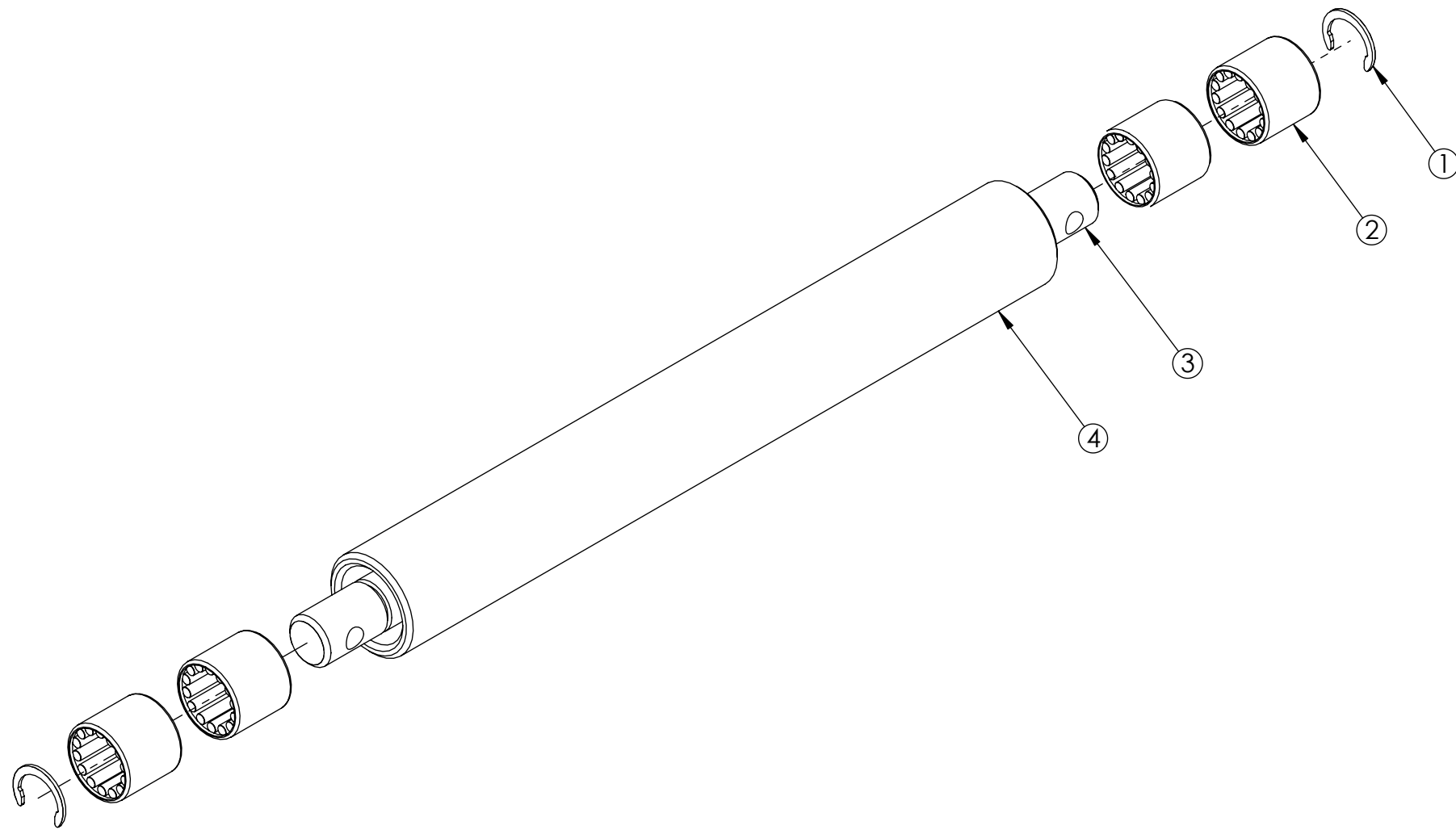


ITEM NO.	PART NUMBER	DESCRIPTION	ROP00000-A-01/QTY.
1	FAS30012	retaining ring	2
2	BEA02F06	needle roller bearing	4
3	XLPA0000	tail and idler shaft	1
4	ROP00000	Tail & idler roller	1



PROPRIETARY AND CONFIDENTIAL
 THE INFORMATION CONTAINED IN THIS DRAWING IS THE SOLE PROPERTY OF WARDCRAFT CONVEYOR. ANY REPRODUCTION IN PART OR AS A WHOLE WITHOUT THE WRITTEN PERMISSION OF WARDCRAFT CONVEYOR IS PROHIBITED.



1897
WARDCRAFT
 Div. of McLaughlin Ward & Co.
 ONE WARDCRAFT DRIVE
 SPRING ARBOR, MI 49283
 PHONE (800)782-2779 FAX (517)750-2244
 www.wardcraftconveyor.com

UNLESS OTHERWISE SPECIFIED:
 DIMENSIONS ARE IN INCHES
 TOLERANCES:
 FRACTIONAL $\pm 1/32$
 ANGULAR: MACH $\pm 1^\circ$ BEND $\pm 1^\circ$
 TWO PLACE DECIMAL $\pm .010$
 THREE PLACE DECIMAL $\pm .005$

INTERPRET GEOMETRIC TOLERANCING PER:
 MATERIAL
 FINISH

DO NOT SCALE DRAWING

	NAME	DATE
DRAWN	G.W.C.	09-14-06
CHECKED		
ENG APPR.		
MFG APPR.		
Q.A.		
COMMENTS:		

PART IDENTIFICATION		
TITLE: Idler roller assembly		
SIZE B	DWG. NO. ROP00000-A-01	REV
SCALE: 1:1	WEIGHT:	SHEET 1 OF 1