

8 7 6 5 4 3 2 1

D

C

B

A

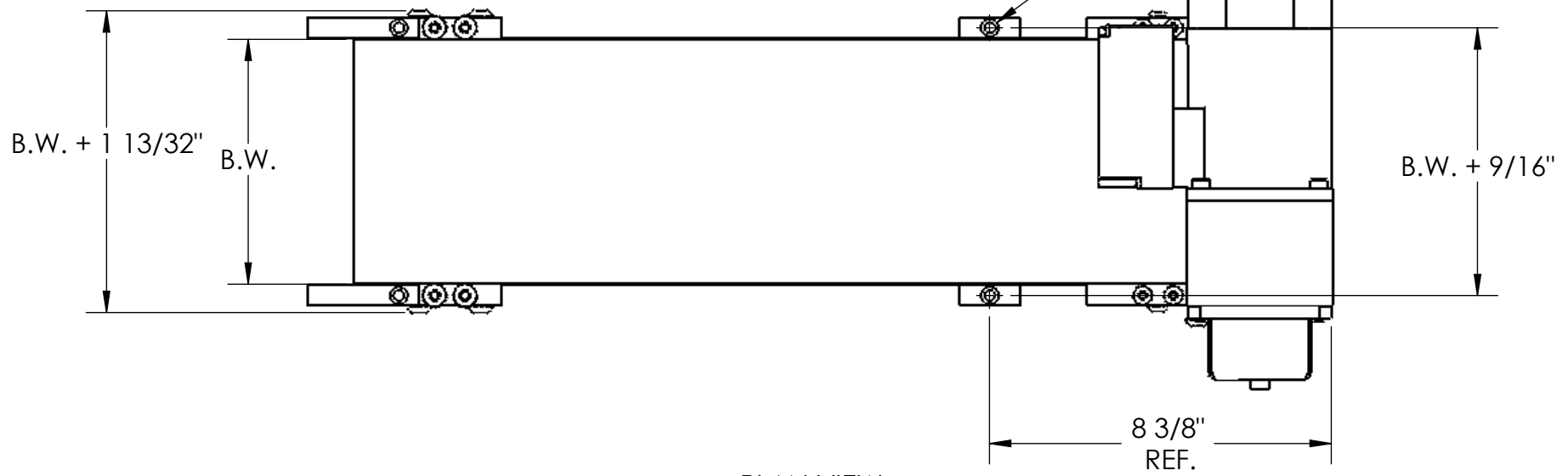
D

C

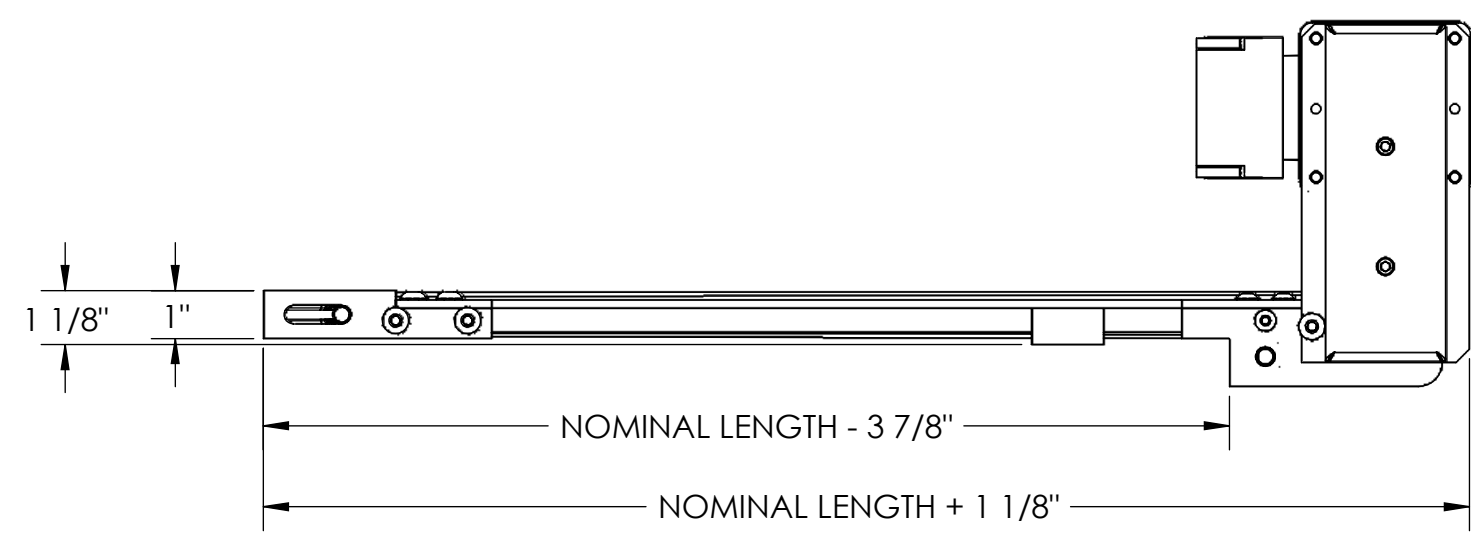
B

A

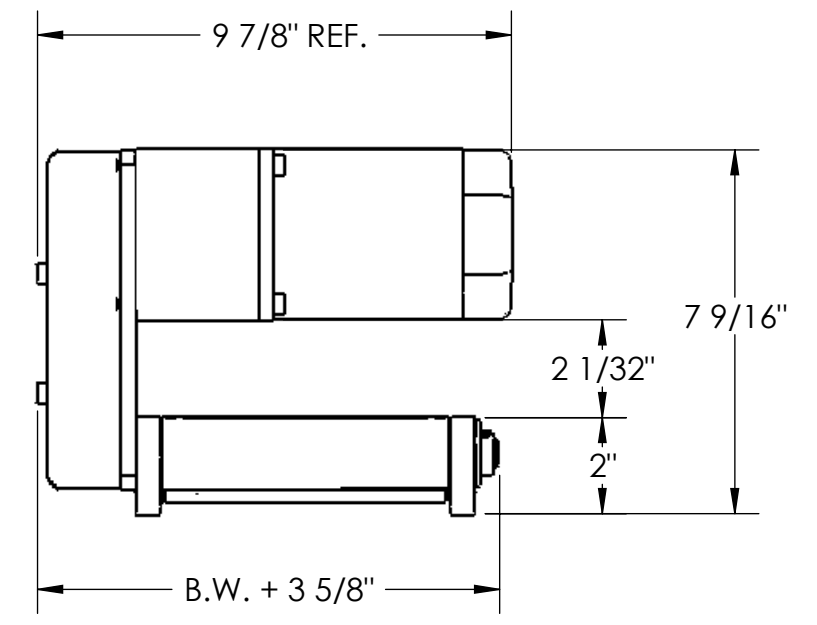
FOR USE WITH
1/4" SHCS FASTENERS



PLAN VIEW



ELEVATION VIEW



END VIEW

PROPRIETARY AND CONFIDENTIAL
THE INFORMATION CONTAINED IN THIS DRAWING IS THE SOLE PROPERTY OF WARDCRAFT CONVEYOR. ANY REPRODUCTION IN PART OR AS A WHOLE WITHOUT THE WRITTEN PERMISSION OF WARDCRAFT CONVEYOR IS PROHIBITED.

WARDCRAFT
Div. of McLaughlin Ward & Co.
1897
ONE WARDCRAFT DRIVE
SPRING ARBOR, MI 49283
PHONE (800)782-2779 FAX (517)750-2244
www.wardcraftconveyor.com

UNLESS OTHERWISE SPECIFIED:
DIMENSIONS ARE IN INCHES
TOLERANCES:
FRACTIONAL $\pm 1/32$
ANGULAR: MACH $\pm 1^\circ$ BEND $\pm 1^\circ$
TWO PLACE DECIMAL $\pm .010$
THREE PLACE DECIMAL $\pm .005$
INTERPRET GEOMETRIC TOLERANCING PER:
MATERIAL
FINISH
DO NOT SCALE DRAWING

	NAME	DATE
DRAWN	G.W.C.	05-01-06
CHECKED		
ENG APPR.		
MFG APPR.		
Q.A.		
COMMENTS:		

ORIENTAL TOP MOUNT		
TITLE: EXTREME LOW PROFILE		
SIZE B	DWG. NO. XLP-1	REV
SCALE: 1:4	WEIGHT:	SHEET 1 OF 1

8 7 6 5 4 3 2 1