

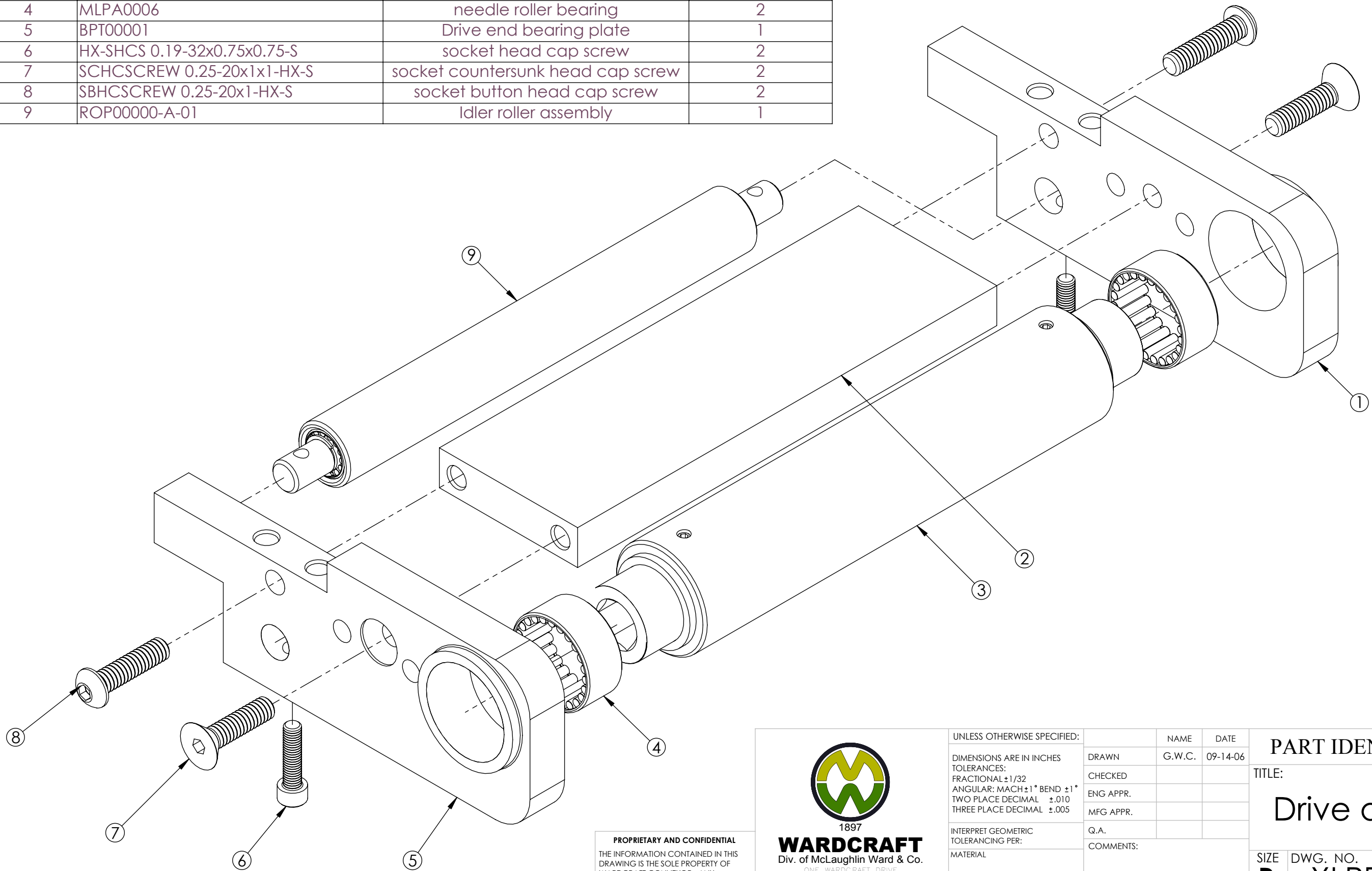
ITEM NO.	PART NUMBER	DESCRIPTION	XLPDRIVE/QTY.
1	BPT00002	Drive end bearing plate	1
2	XLPB0000	Stablizer for tail and drive end	1
3	MLPD0005	Drive pulley assembly	1
4	MLPA0006	needle roller bearing	2
5	BPT00001	Drive end bearing plate	1
6	HX-SHCS 0.19-32x0.75x0.75-S	socket head cap screw	2
7	SCHCSCREW 0.25-20x1x1-HX-S	socket countersunk head cap screw	2
8	SBHCSCREW 0.25-20x1-HX-S	socket button head cap screw	2
9	ROP00000-A-01	Idler roller assembly	1

D

C

B

A



D

C

B

A

PROPRIETARY AND CONFIDENTIAL
 THE INFORMATION CONTAINED IN THIS DRAWING IS THE SOLE PROPERTY OF WARDCRAFT CONVEYOR. ANY REPRODUCTION IN PART OR AS A WHOLE WITHOUT THE WRITTEN PERMISSION OF WARDCRAFT CONVEYOR IS PROHIBITED.


 1897
WARDCRAFT
 Div. of McLaughlin Ward & Co.
 ONE WARDCRAFT DRIVE
 SPRING ARBOR, MI 49283
 PHONE (800)782-2779 FAX (517)750-2244
 www.wardcraftconveyor.com

UNLESS OTHERWISE SPECIFIED:

DIMENSIONS ARE IN INCHES
 TOLERANCES:
 FRACTIONAL $\pm 1/32$
 ANGULAR: MACH $\pm 1^\circ$ BEND $\pm 1^\circ$
 TWO PLACE DECIMAL $\pm .010$
 THREE PLACE DECIMAL $\pm .005$

INTERPRET GEOMETRIC TOLERANCING PER:

MATERIAL

FINISH

DO NOT SCALE DRAWING

	NAME	DATE
DRAWN	G.W.C.	09-14-06
CHECKED		
ENG APPR.		
MFG APPR.		
Q.A.		
COMMENTS:		

PART IDENTIFICATION

TITLE:

Drive assembly

SIZE DWG. NO. REV

B XLPDrive

SCALE: 1:1 WEIGHT: SHEET 1 OF 1

8

7

6

5

4

3

2

1