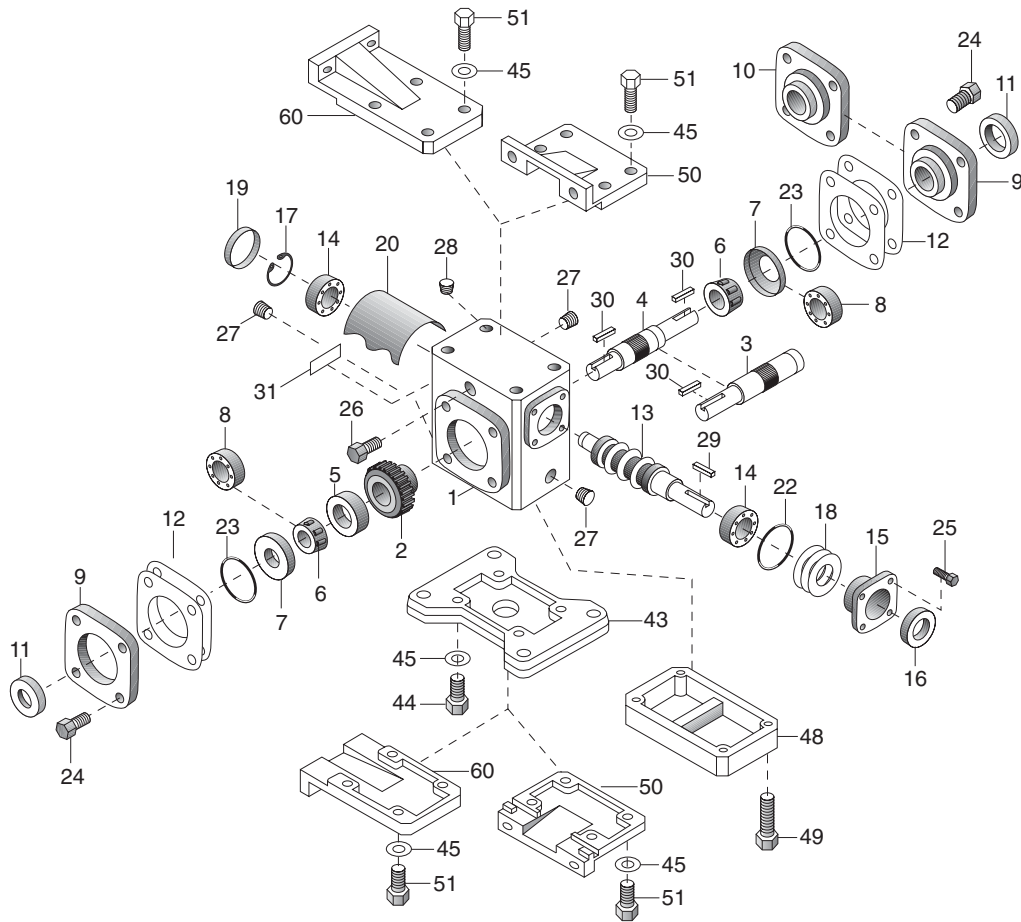


700 SERIES WORM GEAR SPEED REDUCERS

PARTS LIST – SINGLE REDUCTION MODELS

MODELS 710-760



PART NO.	DESCRIPTION
1	HOUSING
2*	WORM GEAR
3*	SINGLE PROJECTING OUTPUT SHAFT
4*	DOUBLE PROJECTING OUTPUT SHAFT
5*	GEAR SPACER
6*	OUTPUT BEARING (CONE) – MODELS 713-760
7	OUTPUT BEARING (CUP) – MODELS 713-760
8	OUTPUT BEARING – MODEL 710 ONLY
9	BEARING CARRIER (OPEN)
10	BEARING CARRIER (CLOSED)
11*	OUTPUT OIL SEAL
12*	ADJUSTMENT SHIMS
13	INPUT WORM SHAFT
14	INPUT BEARING – MODELS 710-730
15	INPUT BEARING RETAINER
16	INPUT OIL SEAL – MODELS 710-760
17	RETAINING RING
18	ADJUSTMENT SHIMS
19	BORE PLUG – MODELS 710-730
20	INTERNAL BAFFLE – MODELS 713-732
22	INPUT “O” RING
23*	OUTPUT “O” RING
24	HEX HEAD CAP SCREW
25	HEX HEAD CAP SCREW
26**	VENT PLUG – 2 PIECE
27	PIPE PLUG

PART NO.	DESCRIPTION
28	PROTECTIVE CAP PLUG
29	INPUT KEY
30	OUTPUT KEY
31	NAMEPLATE
32	INPUT BEARING (CUP) – MODELS 732-760
33	INPUT BEARING (CONE) – MODELS 732-760
34	GREASE CUPS – MODELS 732-760
35	HEX HEAD CAP SCREW
37	OUTPUT SHAFT KEY – MODELS 730-760
38	RETAINING RING – MODELS 710-738
39	MOTOR SHAFT – MODELS 710-738
40	MOTOR FLANGE – MODELS 710-738
41	OIL SEAL – MODELS 710-738
42	HEX HEAD CAP SCREW
43	HORIZONTAL BASE
44	HEX HEAD CAP SCREW
45	LOCKWASHER
46	2 PIECE FC COUPLING – WITH INSERT
47	RETAINING MOTOR FLANGE
48	RISER BLOCK
49	HEX HEAD CAP SCREW
50	VERTICAL BASE (HIGH OR LOW)
51	HEX HEAD CAP SCREW
60	VERTICAL BASE (X & Y ASSEMBLY)
101	FAN
102	SPACER

PART NO.	DESCRIPTION
103	HEX HEAD CAP SCREW
104	FAN GUARD
105	HEX HEAD CAP SCREW
106	WASHER
120	KEY (EXTERNAL)
121	KEY (INTERNAL)
122	“V” TYPE BASE
123	SOCKET SETSCREW
165	HOLLOW OUTPUT SHAFT (S VERSION ONLY)
166	HOLLOW OUTPUT SHAFT (H VERSION ONLY)
167	WORM GEAR
168	OUTPUT BEARING (CONE)
169	OUTPUT BEARING (CUP)
170	OIL SEAL
171	BEARING CARRIER
172	HOLLOW SHAFT MTG. BRACKET
173	HEX HEAD CAP SCREW
174	LOCKWASHER

*For Models 710 to 726, these parts are available as complete assemblies. See Part Ordering Information, page 121.

**Extension not required on single reduction Models 713 through 732.

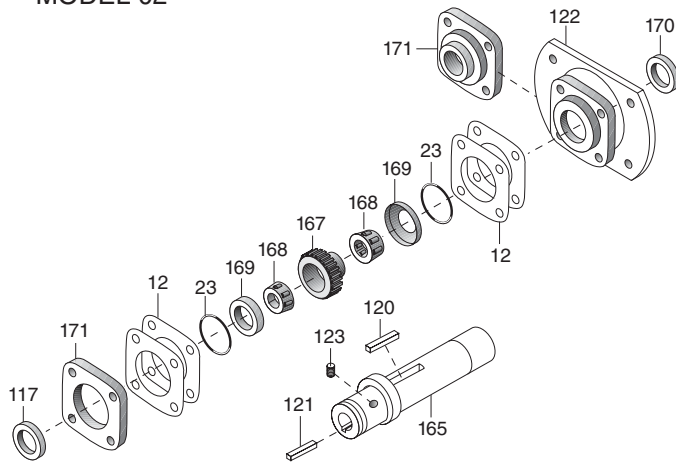
BOSTON GEAR®

700 SERIES WORM GEAR SPEED REDUCERS

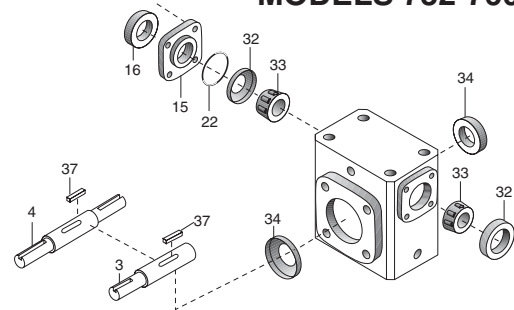
OPTIONS & ACCESSORIES – SINGLE REDUCTION MODELS

HOLLOW OUTPUT SHAFT MODELS S, SF, AND SRF718-732*

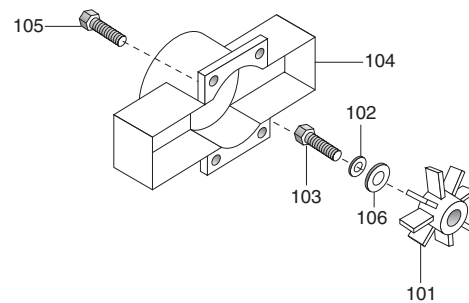
MODEL 02



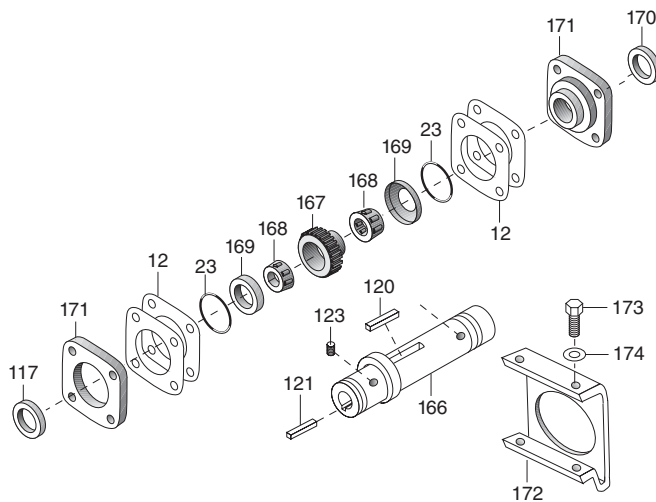
MODELS 732-760



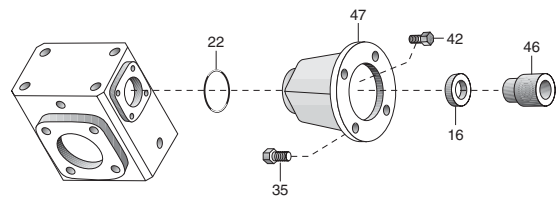
FAN KIT FOR MODELS 732-760



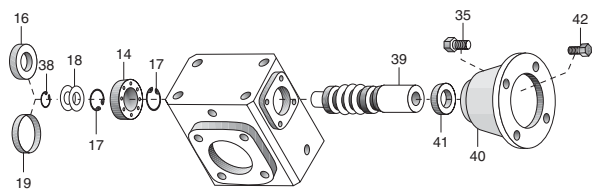
HOLLOW OUTPUT SHAFT MODELS H, HF, AND HRF713-738



MODELS RF710-RF760



MODELS F710-F738



PART ORDERING INFORMATION

1. Be sure to provide complete Boston Gear catalog number from speed reducer nameplate, along with part description and number. For example, "One output oil seal, Part No. 11, for RF718-30-B5-G".
2. Output shaft components for Boston Gear models 710 through 726 are available only as complete assemblies that include Parts 2, 3, 5, 6, 11, 12 and 23 for single projecting shafts; and Parts 2, 4, 5, 6, 11, 12 and 23 for double projecting shafts. When ordering, specify "output shaft assembly" and full Boston Gear catalog number from nameplate.

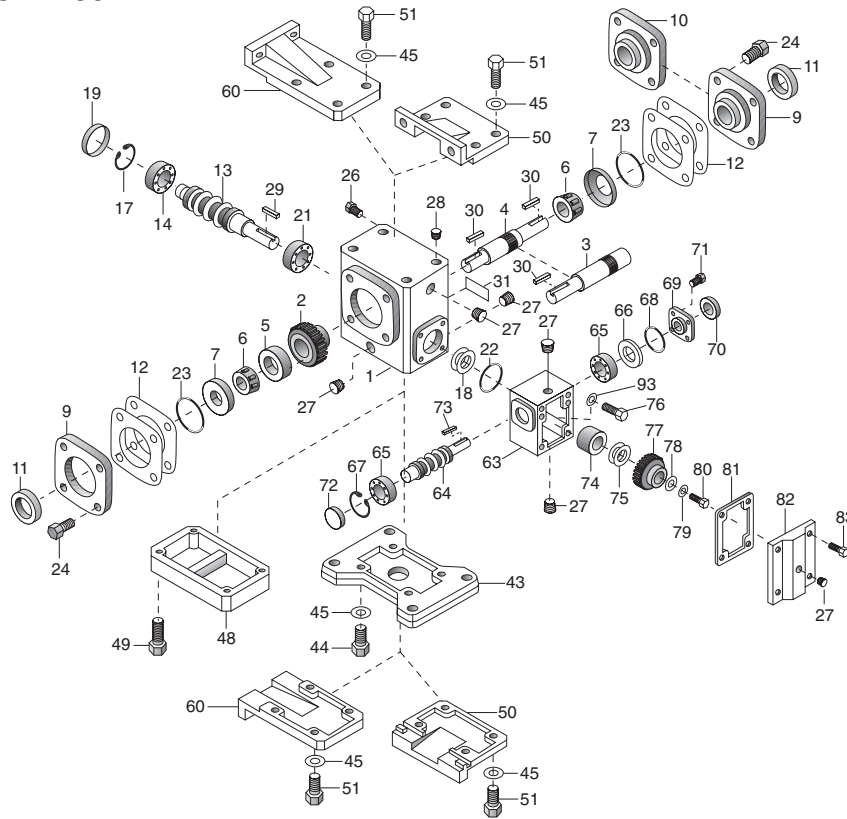
* Not available in the 730 center distance, see H series.

BOSTON GEAR®

700 SERIES WORM GEAR SPEED REDUCERS

PARTS LIST – DOUBLE REDUCTION MODELS

MODELS W713-W760



PART NO.	DESCRIPTION	PART NO.	DESCRIPTION	PART NO.	DESCRIPTION
1	HOUSING	33	INTER. BEARING (CONE) – MODELS W732-W760	82	ATTACHMENT COVER
2*	WORM GEAR	34	GREASE CUPS – MODELS W732-W760	83	HEX HEAD CAP SCREW
3*	SINGLE PROJECTING OUTPUT SHAFT	35	HEX HEAD CAP SCREW	84	INPUT BEARING (CONE) – MODEL W760 ONLY
4*	DOUBLE PROJECTING OUTPUT SHAFT	37	OUTPUT SHAFT KEY – MODELS W730-W760	85	INPUT BEARING (CUP) – MODEL W760 ONLY
5*	GEAR SPACER	43	HORIZONTAL BASE	86	TWO PIECE FC COUPLING WITH INSERT
6*	OUTPUT BEARING (CONE)	44	HEX HEAD CAP SCREW	87	MOTOR FLANGE
7	OUTPUT BEARING (CUP)	45	LOCKWASHER	88	HEX HEAD CAP SCREW
8	OUTPUT BEARING – MODEL 710 ONLY	48	RISER BLOCK	89	MOTOR FLANGE
9	BEARING CARRIER (OPEN)	49	HEX HEAD CAP SCREW	90	INPUT WORM SHAFT
10	BEARING CARRIER (CLOSED)	50	VERTICAL BASE (HIGH OR LOW)	91	EXTERNAL RETAINING RING
11*	OUTPUT OIL SEAL	51	HEX HEAD CAP SCREW	92	OIL SEAL – MODELS FW713-FW738
12*	ADJUSTMENT SHIMS	60	VERTICAL BASE (ASSEMBLY X & Y)	93	WASHER
13	INTERMEDIATE WORM SHAFT	63	ATTACHMENT HOUSING	120	KEY (EXTERNAL)
14	INTERMEDIATE BEARING–MODELS W713-W730	64	INPUT WORM SHAFT	121	KEY (INTERNAL)
15	INTER. BEARING RETAINER–MODELS W732-760	65	INPUT BEARING	122	“V” TYPE BASE
16	INTER. OIL SEAL – MODELS W732-W760	66	ADJUSTMENT SHIMS	165	HOLLOW OUTPUT SHAFT (S VERSION ONLY)
17	RETAINING RING – MODELS W713-W730	67	RETAINING RING	166	HOLLOW OUTPUT SHAFT (H VERSION ONLY)
18	ADJUSTMENTS SHIMS	68	“O” RING	167	WORM GEAR
19	BORE PLUG – MODELS W713-W730	69	BEARING RETAINER	168	OUTPUT BEARING (CONE)
21	INTERMEDIATE BEARING	70	OIL SEAL	169	OUTPUT BEARING (CUP)
22	INTERMEDIATE “O” RING	71	HEX HEAD CAP SCREW	170	OIL SEAL
23*	OUTPUT “O” RING	72	BORE PLUG – MODELS W713-W738	171	BEARING CARRIER
24	HEX HEAD CAP SCREW	73	INPUT WORM SHAFT KEY	172	HOLLOW SHAFT MTG. BRACKET
25	HEX HEAD CAP SCREW	74	GEAR SPACER	173	HEX HEAD CAP SCREW
26	VENT PLUG – 2 PIECE	75	ADJUSTMENT SHIMS	174	LOCKWASHER
27	PIPE PLUG	76	HEX HEAD CAP SCREW		
28	PROTECTIVE CAP PLUG	77	INTERMEDIATE WORM GEAR		
29	INTERMEDIATE KEY	78	WASHER		
30	OUTPUT KEY	79	LOCKWASHER		
31	NAMEPLATE	80	HEX HEAD CAP SCREW		
32	INTER. BEARING (CUP) – MODELS W732-W760	81	ATTACHMENT COVER GASKET		

*For Models 710 to 726, these parts are available as complete assemblies. See Part Ordering Information, Page 123.

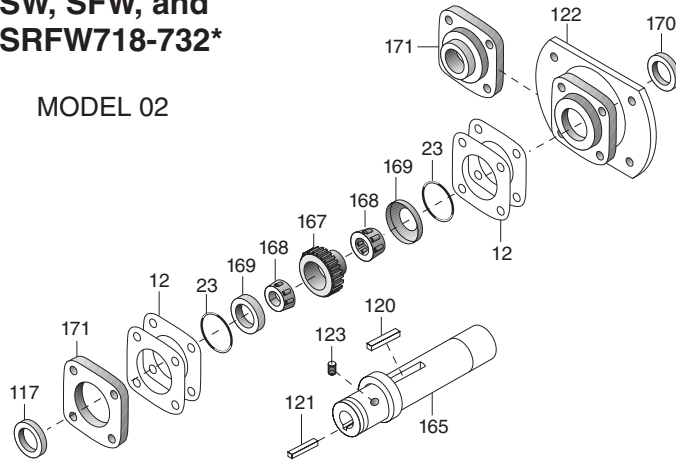
BOSTON GEAR®

700 SERIES WORM GEAR SPEED REDUCERS

OPTIONS & ACCESSORIES – DOUBLE REDUCTION MODELS

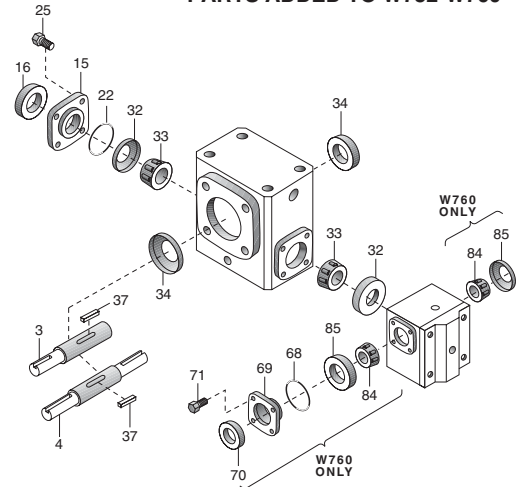
HOLLOW OUTPUT SHAFT MODELS SW, SFW, and SRFW718-732*

MODEL 02

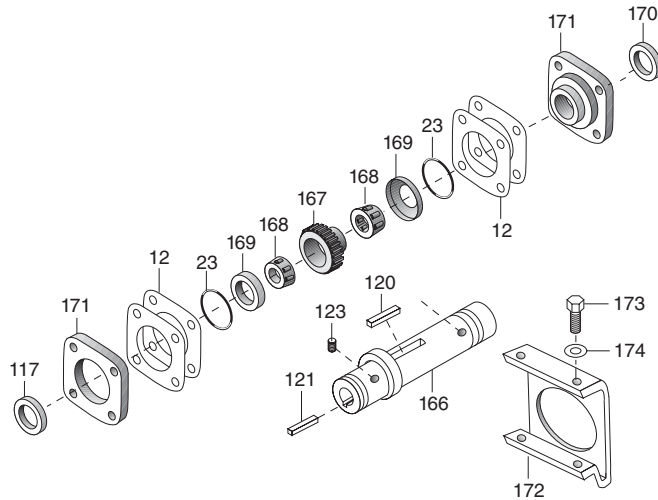


MODELS W732-W760

PARTS ADDED TO W732-W760

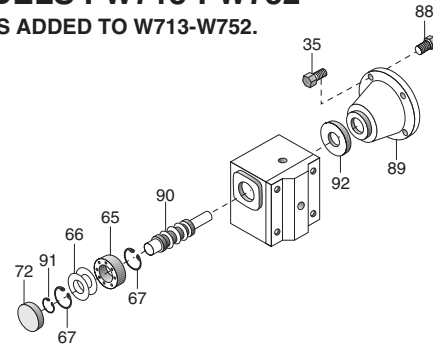


HOLLOW OUTPUT SHAFT MODELS HW, HFW, and HRFW713-738



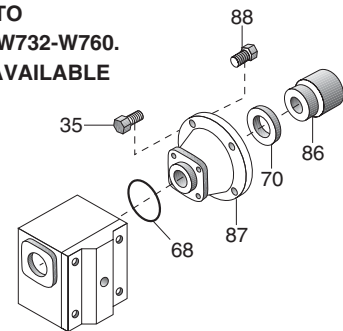
MODELS FW713-FW752

PARTS ADDED TO W713-W752.



MODELS RFW713-RFW760

PARTS ADDED TO
W713-W730 OR W732-W760.
THESE PARTS AVAILABLE
IN KIT FORM.



PART ORDERING INFORMATION

1. Be sure to provide complete Boston Gear catalog number from speed reducer nameplate, along with part description and number. For example, "One output oil seal, Part No. 11, for W713-150-G".
2. Output shaft components for Boston Gear models 710 through 726 are available only as complete assemblies that include Parts 2, 3, 5, 6, 11, 12 and 23 for single projecting shafts; and Parts 2, 4, 5, 6, 11, 12 and 23 for double projecting shafts. When ordering, specify "output shaft assembly" and full Boston Gear catalog number from nameplate.

* Not available in 730 center distance, see H series.