

WARDCRAFT SLUG-VAYOR CONVEYOR READY FORM

CONVEYOR DATA:

- DIMENSIONS:**
- A CONVEYOR LENGTH
 - B MOUNT CLEARANCE
 - C HIGH SIDE (7/8" HIGH STD)

- BELT DATA:**
- WIDTH (BW)
 - SPEED (STD. 70 FPM)

- BELT TYPE:**
- BUE URETHANE LACED
 - BTH PVC LACED
 - OTHER _____
- BELT DIRECTION:**
- TOWARD DISCHARGE (STD)
 - TOWARD TAIL _____

- HANDLING:**
- MATERIAL _____
 - RATE _____

TAIL ROLLER STYLE:

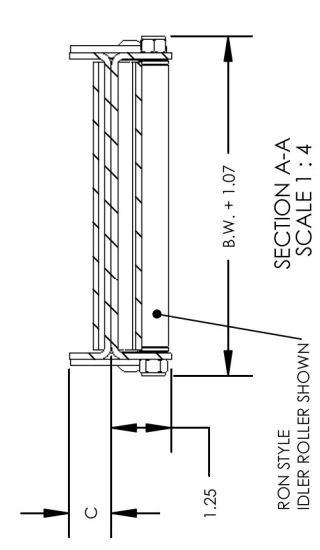
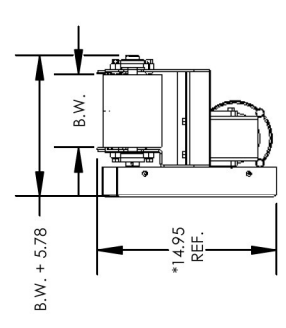
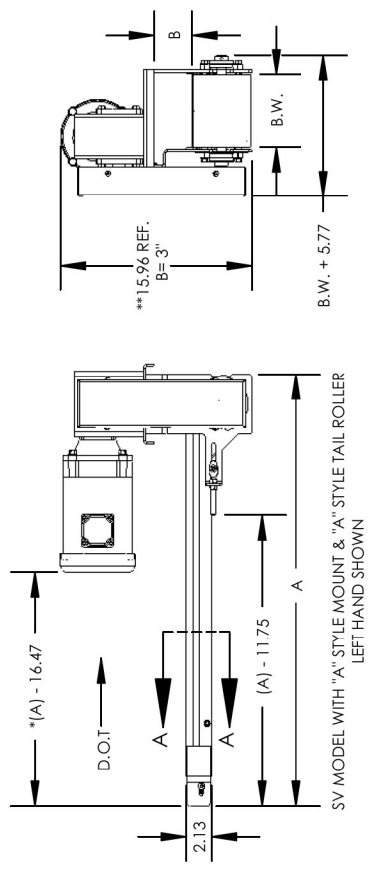
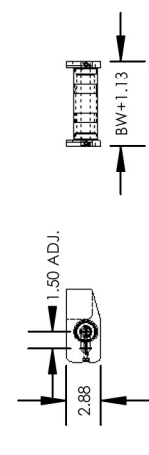
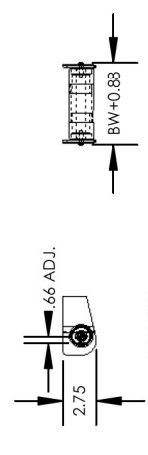
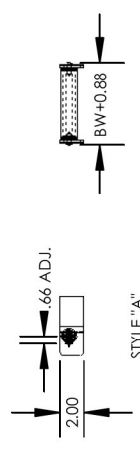
- STYLE A
- STYLE B
- STYLE C
- STYLE D

- ELECTRICAL:**
- 115/220-1-60 Hz
 - 230/460-3-60 Hz
 - 575-3-60 Hz

MOUNT STYLE:

- A LEFT HAND
- A RIGHT HAND
- C LEFT HAND
- C RIGHT HAND

TAIL ROLLER OPTIONS:



NOTE 1: DIMENSIONS WITH (*) WILL VARY DEPENDANT ON SIZE OF DRIVE.
 NOTE2: DIMENSIONS WITH (**) NOTET1 APPLIES IN ADDITION TO DIMENSION WILL VARY BASED ON "B" DIMENSION.
 DISCLAIMER: THIS DRAWING USED FOR RETRIVING INFORMATION, NOT FOR APPROVAL PURPOSES.
 WARDCRAFT CONVEYOR, ONE WARDCRAFT DRIVE, SPRING ARBOR, MI. 49283 PHONE [800] 782-2779 FAX. [517] 750-1144