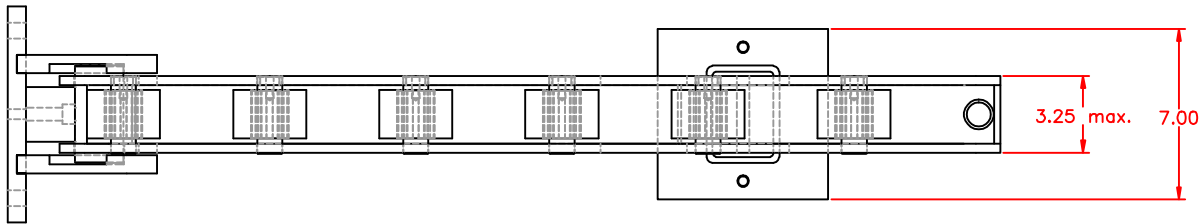


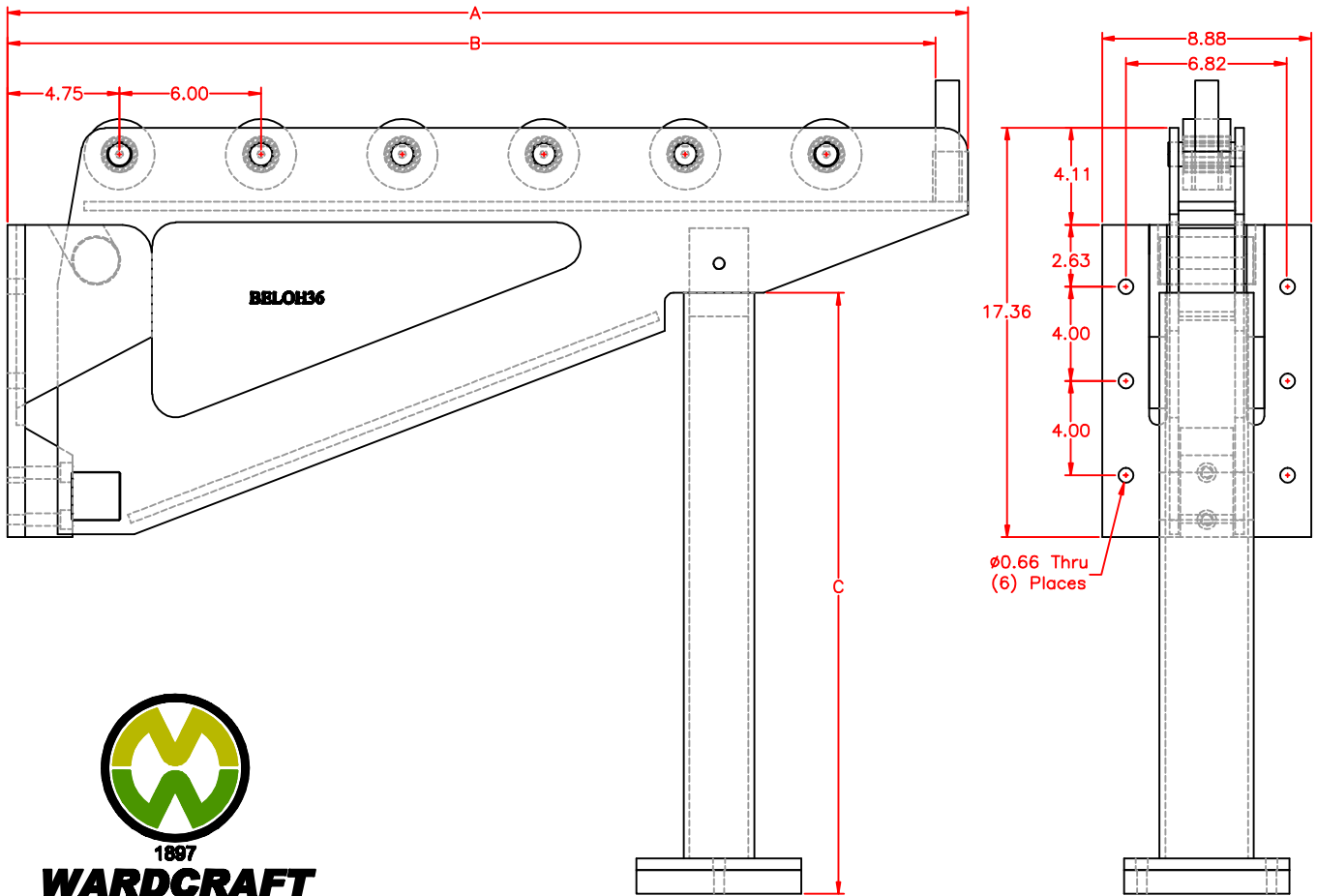
# Heavy duty lift off bolster extensions

**Standard lengths: 36 & 48 inch**  
**With or without leg support**

	Dimensional data			Capacity each	
	A	B	C	Without leg support	With leg support
36"	40.75"	39.37"	N/A	7,500 Lbs.	25,000 Lbs.
48"	52.75	51.37	N/A	7,500 Lbs.	25,000 Lbs.



NOTE: 6.987 FROM TOP OF BOLSTER TO C/L OF TOP MOUNTING HOLES



1897

**WARDCRAFT**

Div. of McLaughlin Ward & Co.

ONE WARDCRAFT DRIVE

SPRING ARBOR, MI 49283

PHONE (800)782-2779 FAX (517)750-2244

www.wardcraftconveyor.com